

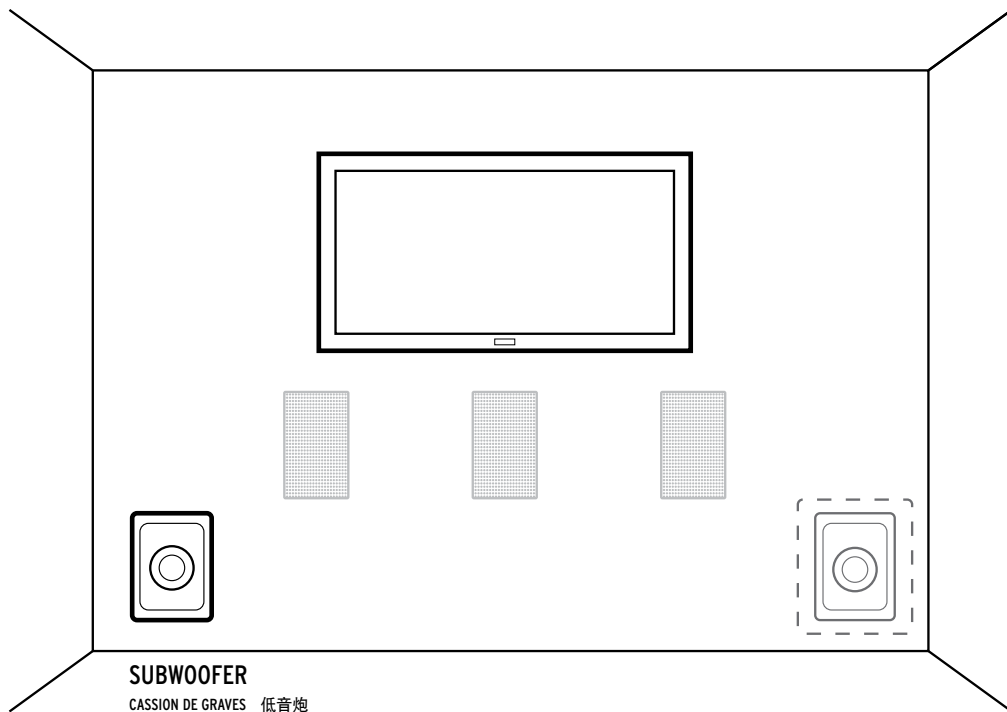


Klipsch®

PRO-1000SW
OWNERS MANUAL

PLACEMENT

POSITIONNEMENT UBICACIÓN PLATZIERUNG POSIÇÃO COLLOCAZIONE 布置

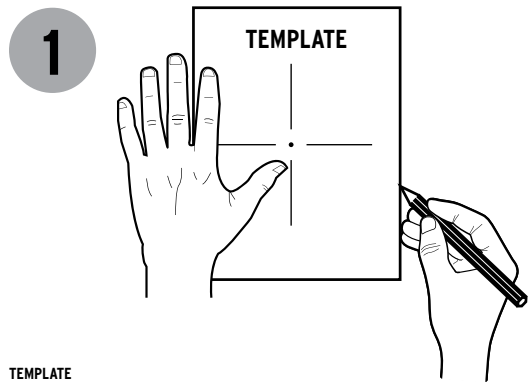


SUBWOOFER

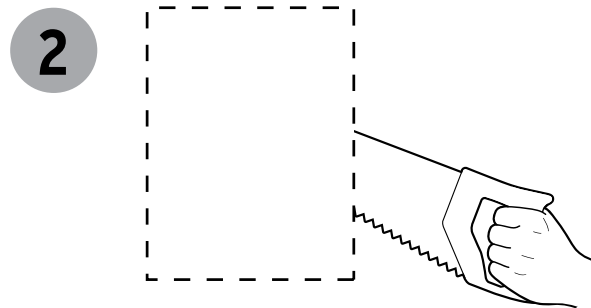
CASSION DE GRAVES 低音炮

CUT OUT

DÉCOUPER SEPARAR AUSGESCHNITTEN RECORTAR RITAGLIARE 剪下

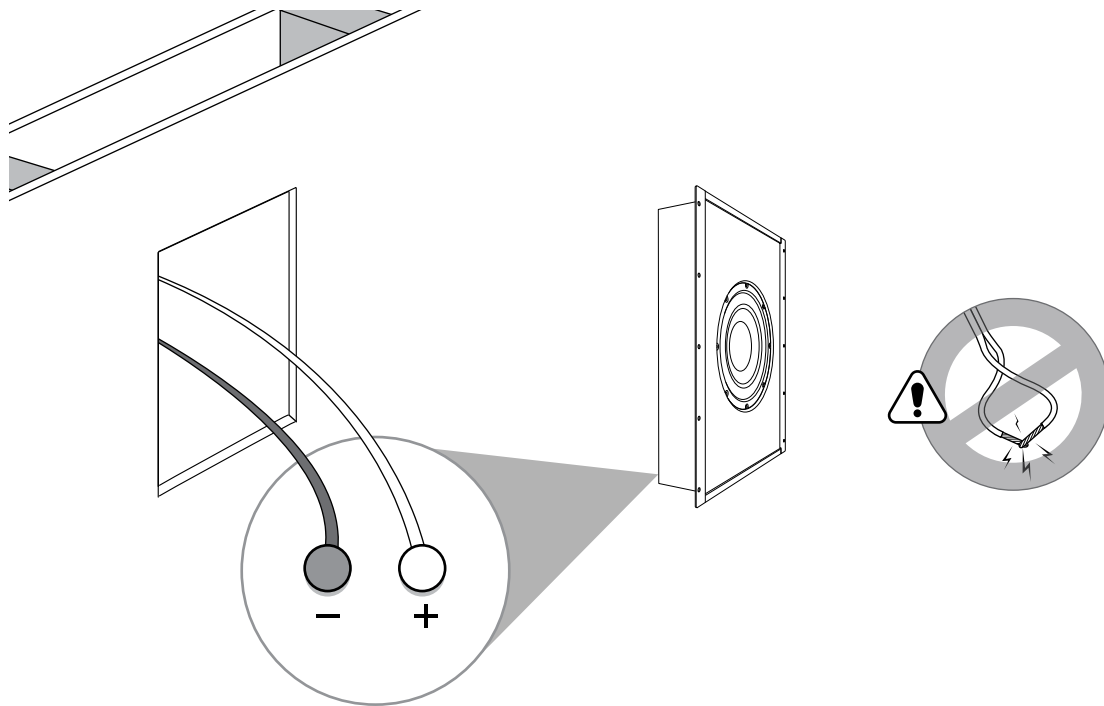


TEMPLATE
GABARIT PLANTILLA SCHABLONE MODELO DIMA FORNITA 模板



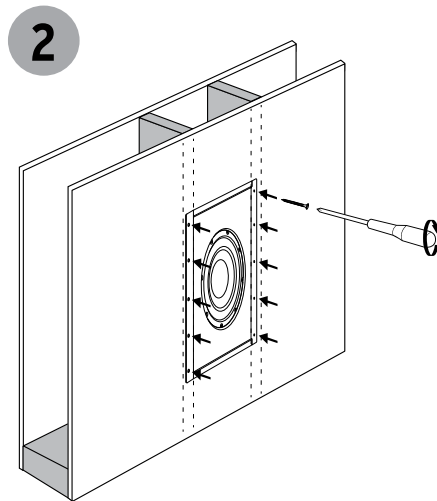
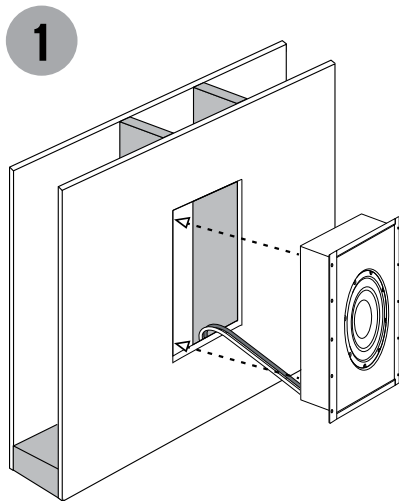
CONNECTIONS

BRANCHEMENTS CONEXIONES ANSCHLÜSSE CONNESSIONI CONEXÕES 连接



INSTALLATION

INSTALLATION CONFIGURACIÓN INSTALLATION APPONTAMENTO INSTALAÇÃO 设置

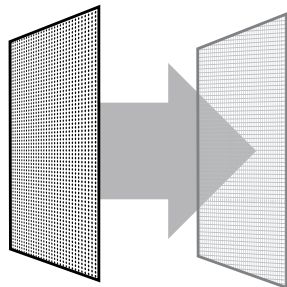


#10 1.5" DRYWALL SCREWS
(included)

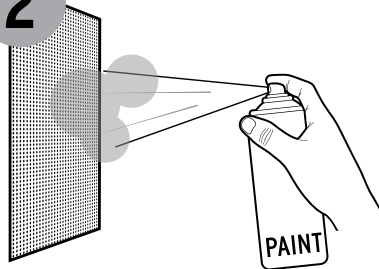
PAINTING

PEINDRE PINTAR MALEN PINTAR VERNICE 油漆

1

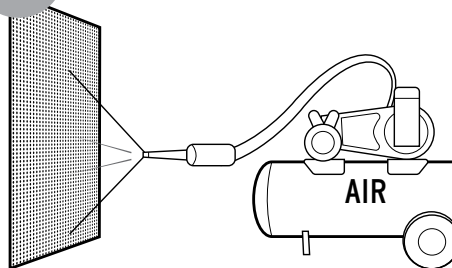


2



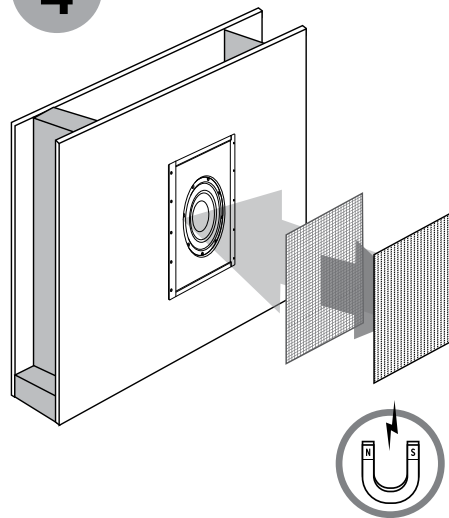
PEINDRE PINTAR MALEN PINTAR VERNICE 油漆

3



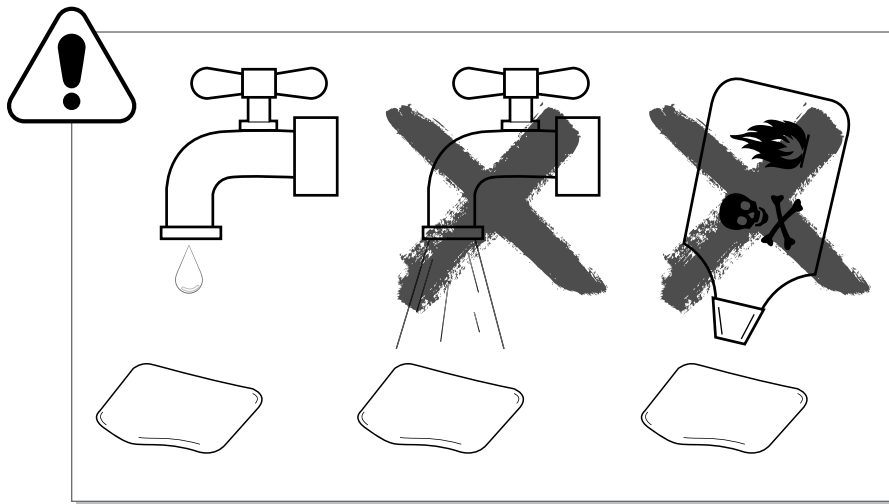
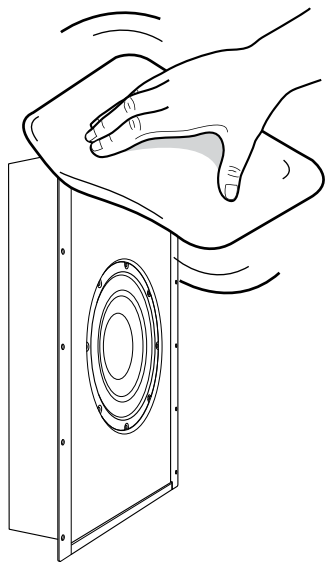
AIR AIRE LUFT AR ARIA 空气

4



CARE AND CLEANING

ENTRETIEN ET NETTOYAGE CUIDADO Y LIMPIEZA PFLEGE UND REINIGUNG CURA E PULIZIA CUIDADOS E LIMPEZA 保养与清洁





Klipsch®

KEEPERS OF THE SOUND

3502 WOODVIEW TRACE, INDIANAPOLIS, IN, USA

KLIPSCH.COM



1-800-KLIPSCH ©2015 KLIPSCH GROUP, INC. ALL RIGHTS RESERVED. KLIPSCH AND KEEPERS OF THE SOUND ARE REGISTERED TRADEMARKS OF KLIPSCH GROUP, INC. IN THE USA AND OTHER COUNTRIES.
A WHOLLY-OWNED SUBSIDIARY OF VOXX INTERNATIONAL CORPORATION.

V01-1019