




Heritage

Owner's Manual

IMPORTANT SAFETY INSTRUCTIONS

1. READ these instructions.
2. KEEP these instructions.
3. HEED all warnings.
4. FOLLOW all instructions.
5. DO NOT use this apparatus near water.
6. CLEAN ONLY with dry cloth.
7. DO NOT block any ventilation openings. Install in accordance with the manufacturer's instructions.
8. Do NOT install near any heat sources such as radiators, heat registers, stoves, or other apparatus (including amplifiers) that produce heat.
9. ONLY USE attachments/accessories specified by the manufacturer.
10. USE only with a cart, stand, tripod, bracket, or table specified by the manufacturer, or sold with the apparatus. When a cart is used, use caution when moving the cart/apparatus combination to avoid injury from tip-over. 
11. REFER all servicing to qualified service personnel. Servicing is required when the apparatus has been damaged in any way, such as power-supply cord or plug is damaged, liquid has been spilled or objects have fallen into the apparatus, the apparatus has been exposed to rain or moisture, does not operate normally, or has been dropped.



This symbol indicates that there are important operating and maintenance instructions in the literature accompanying this unit.

WARNING: To reduce the risk of fire or electrical shock, do not expose this apparatus to rain or moisture.

WARNING: No user-serviceable parts inside. Refer all servicing to qualified service personnel.

INSPECTION

We want your new speaker system to look as good as it did leaving the factory! Please check promptly for any transit damage. Carefully unpack your new speaker system and verify the components against the packing list. In extreme circumstances, items may have become damaged in transit. If any damage is discovered, notify the delivery service and dealer where the system was purchased. Make a request for inspection, and follow their instructions for evaluation. Be sure to keep the product's original shipping carton.

ABOUT YOUR KLIPSCH PURCHASE

Thank you for your purchase of Klipsch Heritage loudspeakers. After reading this manual and connecting your system, you will hear the result of over 60 years of stringent engineering and class-leading research and development. Like all Klipsch products, your loudspeakers feature Klipsch Horn-loaded Technology—the guiding design for the first Klipschorn® developed in 1946 and for every Klipsch product that has followed. Horn-loading allows your speakers to deliver very high sensitivity, wide dynamic range, low distortion, controlled dispersion and flat frequency response. This translates to unequaled power, detail and dynamics, the hallmarks of

"The Klipsch Sound." Please be sure to fill out the warranty card at the back of this manual or online at www.klipsch.com so we are better able to serve you. Again, thank you for choosing Klipsch and we hope that your speakers bring life to your music and movies for many years.

PAUL W. KLIPSCH

The Klipsch Heritage loudspeakers are the direct result of the engineering design genius of Paul W. Klipsch. The technology incorporated into these loudspeakers is as valid today as it was in 1946 when Paul started Klipsch and Associates with the launch of the Klipschorn®. The founder of our company has been lauded as a pioneer and visionary in the audio industry. Paul has had a remarkable career, the pinnacle of which was his induction into the Engineering and Science Hall of Fame in 1997. This honor puts him in such distinguished company as Thomas Edison, George Washington Carver and the Wright brothers, among others. Paul's life was filled with notable distinctions, including the 1994 dedication of the Klipsch Department of Electrical and Computer Engineering at New Mexico State University, Paul's alma mater. In 1978, Paul was awarded the prestigious Silver Medal by the Audio Engineering Society of America as well as being inducted into the Audio Hall of Fame. These are but a few of the achievements of a great audio engineer and an even greater man. Hi-Fidelity magazine said about Paul that he was, "the image of one who pushes toward the frontier and reestablished it wherever he arrives." The November 1986 issue of Audio magazine sums up Paul W. Klipsch and his influence on the industry, ". . . the Klipschorn along with its designer Paul Klipsch, are true legends in the field of high-fidelity sound. Nothing I could write would do complete justice to its description."

KLIPSCHORN

Paul Klipsch's design goal was to reproduce the dynamics and excitement of a live symphony orchestra performance in his living room. An engineering breakthrough when it was introduced, the Klipschorn® remains one of the most highly praised loudspeakers in the world and is the only loudspeaker that has been in continuous production for over 60 years. The Klipschorn is a testament to design that stands the test of time. With extremely high sensitivity, this three-way, fully horn-loaded loudspeaker features a folded tri-hedral bass horn that utilizes the walls and corners of the listening room as part of its design. This combination of attributes enables it to span more than nine full octaves with dynamic, smooth, ultra low distortion sound.

LA SCALA II

The La Scala was developed as a more portable Klipschorn to serve as a public address speaker for the 1963 gubernatorial campaign of Winthrop Rockefeller. Like the Klipschorn, it displays extremely high sensitivity and is a fully horn-loaded, three-way speaker featuring a shorter, two-fold bass horn that can operate independently of listening room corners. As a result, the La Scala's only sonic compromise as compared to the Klipschorn is a slightly higher bass cutoff.

CORNWALL III

The Cornwall was introduced in 1959 as a larger full range alternative to the Heresy as a center channel speaker in a

three-speaker stereo array. It provides the full range bass response of the Klipschorn with sensitivity and output approaching the fully horn-loaded models. Like the Heresy, the Cornwall is a three-way design utilizing horn-loaded compression drivers for midrange and treble frequencies and a direct radiating 15-inch woofer for the low frequencies.

HERESY III

First introduced in 1957, the Heresy started life as a compact center channel speaker for the Klipschorn in three-speaker stereo arrays. The Heresy is a compact, three-way design that uses horn-loaded compression drivers for midrange and treble reproduction and a direct radiating 12-inch woofer for the low frequencies.

UNPACKING & ASSEMBLY

Heresy III and Cornwall III

The Heresy III and Cornwall III models are large, heavy speakers. It is recommended that two people unpack and install these models. Open the top carton flaps, invert the carton and pull it up and off of the speaker. Remove the internal packing and save for future use.

Klipschorn and LaScala II

The Klipschorn and La Scala II low and high frequency cabinets are shipped in two separate cartons. These are large, heavy speakers. Unpacking and setup will require two people.

The Klipschorn and LaScala II high and low frequency cabinets are matched by serial number for proper acoustic performance. Please take care to match upper and lower cabinet serial numbers when assembling these loudspeakers.

Klipschorn

Open the flaps of the larger low frequency carton labeled "Open This End", invert the carton and lift it off of the speaker cabinet and remove the inner packing. The top of the cabinet, with its three rubber spacers, should be facing up (See Figure 1). Slide the bass cabinet into the corner where it will be placed for a test fit and make note of any obstructions that interfere with a tight fit. Remove the cabinet from the corner to install the high frequency cabinet. Position the speaker near, but not tight into, the corner and remove the low frequency grille (two wing nuts) on the input panel side of the cabinet and set aside until the connection process is complete.

Open the top flaps of the smaller high frequency carton marked "Open This End" and remove the packing pad. Lift the high frequency cabinet out of the carton and set it on top of the low frequency cabinet. Align the three rubber bumpers on the top of the low frequency cabinet with the three recesses on the underside of the high frequency cabinet. Thread the high and mid frequency driver leads in the upper cabinet through the hole in the cabinet's lower panel. Connect the Green (+) tagged pair of wires to the pair of binding posts labeled "Tweeter Out." Take care to match the Red (+) and Black (-) binding posts with the Green (+) and Black (-) sleeves on the ends of these wires. Follow this same procedure to connect the Yellow tagged pair of wires to the pair of binding posts labeled "Mid Out." (See Figure 5.)

La Scala II

Open the flaps of the larger low frequency carton labeled "Open This End." Invert the carton, lift it off of the speaker cabinet and remove the inner packing. The top of the cabinet, with its three rubber spacers, should be facing up (See Figure 2).

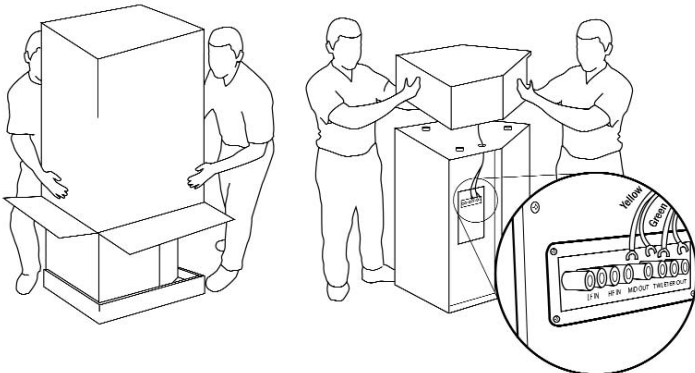
For the La Scala II high frequency cabinet, open the top flaps of the smaller carton marked "Open This End," and remove the inner packing pad. The bottom of the cabinet should be facing up with the low frequency connection cable attached to it. Free this cable, invert the carton and lift it off the cabinet. With assistance, lift the high frequency cabinet off the floor and place it on top of the low frequency cabinet while placing the low frequency cable toward the rear and out the gap between the cabinets. Align the recesses on the bottom surface of the high frequency cabinet with the rubber bumpers on the top of the low frequency cabinet. Connect the low frequency cable to the two screw barrier strip on the rear of the low frequency cabinet. Be sure to observe proper polarity by connecting the wire with the Red Indicator to the terminal with the Red marking and the wire with the Black indicator to the other terminal.

PLACEMENT

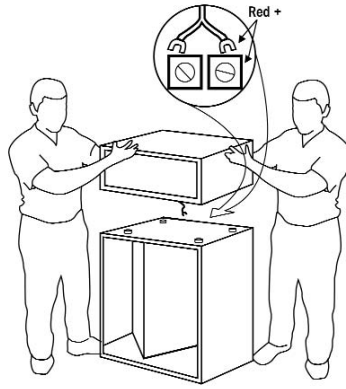
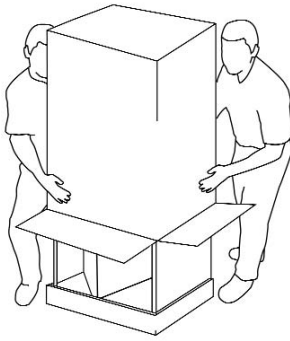
Your Klipsch Heritage loudspeakers will perform well in a variety of locations but best results will be achieved using the following general guidelines:

- All: Place on a common wall 6 to 15 feet apart.
- La Scala, Cornwall, Heresy: Position them equidistant from the wall behind the speakers.
- Heresy: Equidistant height above the floor with the high frequency drivers at seated ear height if wall or cabinet mounted.

1



2



three-speaker stereo array. It provides the full range bass response of the Klipschorn with sensitivity and output approaching the fully horn-loaded models. Like the Heresy, the Cornwall is a three-way design utilizing horn-loaded compression drivers for midrange and treble frequencies and a direct radiating 15-inch woofer for the low frequencies.

HERESY III

First introduced in 1957, the Heresy started life as a compact center channel speaker for the Klipschorn in three-speaker stereo arrays. The Heresy is a compact, three-way design that uses horn-loaded compression drivers for midrange and treble reproduction and a direct radiating 12-inch woofer for the low frequencies.

UNPACKING & ASSEMBLY

Heresy III and Cornwall III

The Heresy III and Cornwall III models are large, heavy speakers. It is recommended that two people unpack and install these models. Open the top carton flaps, invert the carton and pull it up and off of the speaker. Remove the internal packing and save for future use.

Klipschorn and LaScala II

The Klipschorn and La Scala II low and high frequency cabinets are shipped in two separate cartons. These are large, heavy speakers. Unpacking and setup will require two people.

The Klipschorn and LaScala II high and low frequency cabinets are matched by serial number for proper acoustic performance. Please take care to match upper and lower cabinet serial numbers when assembling these loudspeakers.

Klipschorn

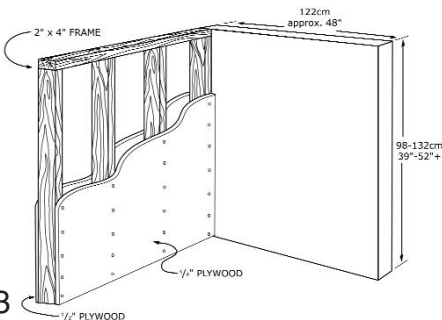
Open the flaps of the larger low frequency carton labeled "Open This End", invert the carton and lift it off of the speaker cabinet and remove the inner packing. The top of the cabinet, with its three rubber spacers, should be facing up (See Figure 1). Slide the bass cabinet into the corner where it will be placed for a test fit and make note of any obstructions that interfere with a tight fit. Remove the cabinet from the corner to install the high frequency cabinet. There is a left and a right low frequency cabinet with respect to the input panel. This allows the speaker's binding posts to be oriented toward the electronics to minimize the length of speaker wire. In preparation for hookup, position the speaker near, but not tight into, the corner and remove the low frequency grille (two wing nuts) on the input panel side of the cabinet and set aside until the connection process is complete.

Open the top flaps of the smaller high frequency carton marked "Open This End" and remove the packing pad. Lift the high frequency cabinet out of the carton and set it on top of the low frequency cabinet. Align the three rubber bumpers on the top of the low frequency cabinet with the three recesses on the underside of the high frequency cabinet. Thread the high and mid frequency driver leads in the upper cabinet through the hole in the cabinet's lower panel. Connect the Green (+) tagged pair of wires to the pair of binding posts labeled "Tweeter Out." Take care to match the Red (+) and Black (-) binding posts with the Green (+) and Black (-) sleeves on the ends of these wires. Follow this same procedure to connect the Yellow tagged pair of wires to the pair of binding posts labeled "Mid Out." (See Figure 5.)

La Scala II

Open the flaps of the larger low frequency carton labeled "Open This End." Invert the carton, lift it off of the speaker cabinet and remove the inner packing. The top of the cabinet, with its three rubber spacers, should be facing up (See Figure 2).

For the La Scala II high frequency cabinet, open the top flaps of the smaller carton marked "Open This End," and remove the inner packing pad. The bottom of the cabinet should be facing up with the low frequency connection cable attached to it. Free this cable, invert the carton and lift it off the cabinet. With assistance, lift the high frequency cabinet off the floor and



3

place it on top of the low frequency cabinet while placing the low frequency cable toward the rear and out the gap between the cabinets. Align the recesses on the bottom surface of the high frequency cabinet with the rubber bumpers on the top of the low frequency cabinet. Connect the low frequency cable to the two screw barrier strip on the rear of the low frequency cabinet. Be sure to observe proper polarity by connecting the wire with the Red Indicator to the terminal with the Red marking and the wire with the Black indicator to the other terminal.

PLACEMENT

Your Klipsch Heritage loudspeakers will perform well in a variety of locations but best results will be achieved using the following general guidelines:

- All: Place on a common wall 6 to 15 feet apart.
- La Scala, Cornwall, Heresy: Position them equidistant from the wall behind the speakers.
- Heresy: Equidistant height above the floor with the high frequency drivers at seated ear height if wall or cabinet mounted.
- All: Angle speakers toward the listener and even with or forward of any adjacent obstructions.
- La Scala, Cornwall, Heresy: Placing them near a corner or wall provides the greatest amount of bass while moving the speakers away from room boundaries reduces bass energy.
- All: Asymmetrical placement of a pair of speakers from adjacent side walls can smooth room-induced bass unevenness.
- Experiment with the above guidelines to suit your taste and to compensate for your room's acoustic characteristics.

Klipschorn

Klipschorn speakers typically perform best when positioned in the corners on the long wall of a rectangular room. If the room is very narrow and long with corners farther apart than 18 to 20 feet, the stereo image may not be optimal. A room with a length to width ratio of 1.00 to .618 is preferred. In addition, Klipschorn loudspeakers seem to benefit from ceiling heights no lower than 8.5 feet. The Klipschorn requires corner placement because the walls of the room serve to complete the speaker's low frequency horn. To achieve full low frequency extension, the Klipschorn should fit tightly in a corner without baseboard or trim interference and the wall surfaces should extend at least 25 inches beyond the side grilles.

False Corners

If proper corners are not available in your listening room, false corners can be constructed to yield bass performance similar to a full corner and also allow for some adjustment of toe-in if desired. Start with a 2' x 4' framework as shown in Figure 3. Klipsch recommends using standard 4 foot wide sheets of 3/4" plywood securely glued and nailed to the framework. The backside may be covered with a thinner material such as 3/16" masonite or 1/2" plywood. Paint to match wall color, or finish with a laminate or other material. (See Figure 3.) In the case of very wide spacing, a false corner can be employed on one of the Klipschorns to reduce the distance between speakers. Another solution to widely spaced Klipschorn loudspeakers in an audio only system is the addition of a center speaker such as the La Scala to create a three-speaker stereo array. Please contact Klipsch Technical Support at 1-800-554-7724

for connection details.

La Scala II

The La Scala II features a self-contained, front-firing, folded bass horn to permit placement out of the corner if required. However, because this model has less bass extension than the Klipschorn, the low-frequency acoustic reinforcement of corner placement may be optimal. The La Scala also offers full flexibility with regard to the amount of toe-in for the desired stereo image. Deep bass performance may also be augmented with a high performance Klipsch subwoofer.

Cornwall III

The Cornwall III offers the placement and toe-in flexibility of the La Scala with low frequency extension similar to the Klipschorn at a reduced output capability. As with the La Scala and Heresy, corner positioning yields the greatest amount of bass output while placements out of the corner or away from rear walls will yield less bass. Since room acoustics and personal taste vary we recommend experimenting with several locations to fine tune the speaker's performance. Self-stick rubber pads are supplied for attachment to the bottom of the riser for use on hard floors.

Heresy III

The Heresy III offers the greatest degree of placement flexibility of all of the Heritage models due to its relatively compact size. It delivers the same basic frequency range as the La Scala but at more modest output levels. Corner, floor placement will deliver the highest degree of low bass reinforcement and the slant riser base helps to compensate for the Heresy's short stature. This riser may be removed for shelf or cabinet placement. Self-stick rubber pads are supplied for attachment to the bottom of the cabinet to prevent scratching of shelves and hard surfaces.

CONNECTING YOUR LOUDSPEAKER

Caution: Turn your amplifier off before making any connections! (See Figure 4.)

- Your loudspeakers are equipped with positive (Red) and negative (Black) connection terminals, on the rear or side of the cabinet. These correspond to the positive and negative terminals on the appropriate channel (left, right, etc.) of your amplifier and will accommodate bare wire, spade lugs or banana plugs (See Figure 4).
- All speakers in your system must be connected in phase with the positive speaker terminal connected to the positive amplifier terminal. Repeat this for the negative speaker and amplifier terminals. Most speaker wire has distinguishing markings on the insulation of one of the conductors to assist in correct hookup.
- Use 16-gauge (AWG), two conductor, copper wire for a minimum and larger gauge wire for longer runs. The connection terminals on your loudspeaker will accommodate bare wire, spade terminals or banana type plugs.
- **Caution:** With all connection types take care that there is no contact between the positive and negative terminals at the speaker and amplifier. Damage to your equipment may result! (See Figure 4.)

Klipschorn: Connections are found on the input panel on the side of the low frequency cabinet. Two of the four pairs of binding posts are used to connect the speaker cables coming from your amplifier. They are labeled "HF IN" + and - / "LF IN" + and -. Both red (+) and both black (-) posts are connected with wire jumpers. Leave these jumpers in place for conventional single wire connection and use either pair of posts. Remove these jumpers for optional bi-wire connection. (See Figure 5.) Replace the side grille, removed earlier after completing all connections. Take care to route the speaker cable through the notch in the lower, rear corner of the grille as the speaker is slid into the corner. If the speaker cable comes from the side opposite the input panel, route it through the notch in that grille then in front of the tail board and onto the input panel.

Do not connect your amplifier directly to the midrange or tweeter driver leads or to the posts labeled "Mid Out" or "HF Out" as you may damage the speaker.

La Scala II: The two pairs of binding posts located on the rear of the loudspeaker are used to connect the speaker cables coming from your amplifier. These binding posts are labeled "HF IN" + and - / "LF IN" + and -." Both red (+) and black (-) posts connected with wire jumpers. Leave these jumpers in place for conventional single wire connection and use either pair of posts. Remove these jumpers for bi-wire connection. (See Figure 5.)

Cornwall III and Heresy III: The two pairs of binding posts located on the rear of the loudspeaker and are used to connect the speaker cables coming from your amplifier. These binding posts are labeled "HF+", "HF-", "LF+" and "LF-" and have both red (+) and black (-) posts connected with metal straps. Leave these straps in place for conventional single wire connection and use either pair of posts. Remove these straps for bi-wire connection (See Figure 4).

WARRANTY—U.S. AND CANADA ONLY

The Warranty below is valid only for sales to consumers in the United States or Canada.

KLIPSCH, L.L.C. ("KLIPSCH") warrants this product to be free from defects in materials and workmanship (subject to the terms set forth below) for a period of five (5) years from the date of purchase. During the Warranty period, KLIPSCH will repair or replace (at KLIPSCH's option) this product or any defective parts (excluding electronics and amplifiers). For products that have electronics or amplifiers, the Warranty on those parts is for a period of two (2) years from the date of purchase.

To obtain Warranty service, please contact the KLIPSCH authorized dealer from which you purchased this product. If your dealer is not equipped to perform the repair of your KLIPSCH product, it can be returned, freight paid, to KLIPSCH for repair. Please call KLIPSCH at 1-800-KLIPSCH for instructions. You will need to ship this product in either its original packaging or packaging affording an equal degree of protection.

Proof of purchase in the form of a bill of sale or receipted invoice, which is evidence that this product is within the Warranty period, must be presented or included to obtain Warranty service.

This Warranty is invalid if (a) the factory-applied serial number has been altered or removed from this product or (b) this product was not purchased from a KLIPSCH authorized dealer. You may call 1-800-KLIPSCH to confirm that you have an unaltered serial number and/or you purchased from a KLIPSCH authorized dealer.

This Warranty is only valid for the original purchaser and will automatically terminate prior to expiration if this product is sold or otherwise transferred to another party.

This Warranty does not cover cosmetic damage or damage due to misuse, abuse, negligence, acts of God, accident, commercial use or modification of, or to any part of, the product. This Warranty does not cover damage due to improper operation, maintenance or installation, or attempted repair by anyone other than KLIPSCH or a KLIPSCH dealer which is authorized to do KLIPSCH warranty work. Any unauthorized repairs will void this Warranty. This Warranty does not cover product sold AS IS or WITH ALL FAULTS.

REPAIRS OR REPLACEMENTS AS PROVIDED UNDER THIS WARRANTY ARE THE EXCLUSIVE REMEDY OF THE CONSUMER. KLIPSCH SHALL NOT BE LIABLE FOR ANY INCIDENTAL OR CONSEQUENTIAL DAMAGES FOR BREACH OF ANY EXPRESS OR IMPLIED WARRANTY ON THIS PRODUCT. EXCEPT TO THE EXTENT PROHIBITED BY LAW, THIS WARRANTY IS EXCLUSIVE AND IN LIEU OF ALL OTHER EXPRESS AND IMPLIED WARRANTIES WHATSOEVER, INCLUDING BUT NOT LIMITED TO, THE WARRANTY OF MERCHANTABILITY AND FITNESS FOR A PRACTICAL PURPOSE.

Some states do not allow the exclusion or limitation of incidental or consequential damages or implied warranties so the above exclusions may not apply to you. This Warranty gives you specific legal rights, and you may have other rights, which vary from state to state.

WARRANTY OUTSIDE THE UNITED STATES AND CANADA

The Warranty on this product if it is sold to a consumer outside of the United States or Canada shall comply with applicable law and shall be the sole responsibility of the distributor that supplied this product. To obtain any applicable warranty service, please contact the dealer from which you purchased this product, or the distributor that supplied this product.

CONSIGNES DE SÉCURITÉ IMPORTANTES

1. LIRE ces instructions.
2. CONSERVER ces instructions.
3. RESPECTER tous les avertissements.
4. SUIVRE toutes les instructions.
5. NE PAS utiliser cet appareil à proximité de l'eau.
6. NETTOYER UNIQUEMENT avec un chiffon sec.
7. NE PAS OBSTRUER les orifices de ventilation. Installer conformément aux instructions du constructeur.
8. NE PAS installer à proximité de sources de chaleur telles que les radiateurs, les grilles de chauffage, les cuisinières et les autres appareils (notamment les amplificateurs) dégageant de la chaleur.
9. UTILISER UNIQUEMENT les accessoires préconisés par le constructeur.
10. UTILISER exclusivement avec un chariot, un support, un trépied, une console ou un bâti recommandé par le fabricant ou vendu avec l'appareil. Lorsqu'un chariot est utilisé, faire preuve de prudence pour déplacer l'ensemble chariot/appareil afin d'éviter un renversement pouvant causer des blessures. 
11. CONFIER tout travail de dépannage à un réparateur professionnel compétent. Faire réparer l'appareil en cas de dommages, par exemple : fiche ou cordon d'alimentation endommagé, liquide renversé sur l'appareil ou objet inséré dans l'appareil, appareil exposé à la pluie ou à l'humidité, mauvais fonctionnement ou après une chute.



Ce symbole indique d'importantes instructions d'utilisation et d'entretien dans la documentation accompagnant cet appareil.

AVERTISSEMENT : Pour réduire les risques d'incendie et d'électrocution, ne pas exposer cet appareil à la pluie ni à l'humidité.

AVERTISSEMENT : Cet appareil ne contient pas de pièces pouvant être remplacées par l'utilisateur. Tout travail de dépannage doit être confié à un réparateur professionnel compétent.

INSPECTION

Vos nouvelles enceintes doivent être aussi belles qu'à leur départ de l'usine. Vérifiez immédiatement qu'elles n'ont pas été endommagées au cours du transport. Déballez soigneusement les enceintes et vérifiez les composants en vous référant à la liste de colisage. Dans certains cas exceptionnels, des éléments peuvent avoir été endommagés au cours du transport. Si des dégâts sont constatés, contactez le transporteur et le revendeur chez lequel le système a été acheté. Faites une demande d'inspection et suivez les instructions d'évaluation. Veillez à conserver le carton d'emballage d'origine du produit.

À PROPOS DE VOTRE ACHAT DE PRODUIT KLIPSCH

Merci d'avoir acheté ces enceintes Klipsch Heritage. Après avoir lu ce manuel et raccordé le système, vous bénéficierez des résultats de plus de 60 ans d'études techniques rigoureuses et d'un programme supérieur de recherche et développement. Comme tous les produits Klipsch, ces enceintes bénéficient de la technologie pavillonnée Klipsch qui a servi de ligne directrice au premier modèle Klipschorn® mis

au point en 1946 et à tous les produits Klipsch qui ont suivi. Le pavillon permet aux enceintes d'offrir une réponse à très haute sensibilité, à large plage dynamique, à faible distorsion, à dispersion contrôlée et à réponse en fréquence uniforme. Cela se traduit par une supériorité inégalée du « son Klipsch » au niveau de la puissance, des détails et de la dynamique. Afin que nous puissions mieux vous servir, n'oubliez pas de remplir la fiche de garantie que vous trouverez à la fin de ce manuel ou en ligne sur www.klipsch.com. Encore une fois, merci d'avoir choisi Klipsch. Nous espérons que ces enceintes vous permettront d'apprécier pleinement votre musique et vos films pendant de nombreuses années.

PAUL W. KLIPSCH

Les enceintes Klipsch Heritage sont le résultat direct du génie créatif technique de Paul W. Klipsch. La technologie de ces enceintes est autant utilisée aujourd'hui qu'en 1946, lors de la création par Paul Klipsch de la société Klipsch and Associates, avec le lancement de l'enceinte Klipschorn®. Le fondateur de notre société fut reconnu comme pionnier et visionnaire dans le secteur audiophonique. Le couronnement de la remarquable carrière de Paul Klipsch fut sa nomination au « Engineering and Science Hall of Fame » en 1997. Il partage cette distinction avec des hommes célèbres tels que Thomas Edison, George Washington Carver et les frères Wright. La vie de Paul Klipsch fut jalonnée de distinctions notoires, avec en particulier l'inauguration en 1994 du Klipsch Department of Electrical and Computer Engineering de l'université d'état du Nouveau Mexique où Paul fit ses études. En 1978, Paul fut récompensé par la prestigieuse médaille d'argent de l'association Audio Engineering Society of America et intronisé à l'Audio Hall of Fame.

Voilà quelques-uns des accomplissements d'un grand ingénieur en audiophonie et d'un très grand homme. Selon la revue Hi-Fidelity, Paul Klipsch fut « l'image de quelqu'un qui pousse vers la limite et la redéfinit là où il arrive ». Dans son numéro de novembre 1986, la revue Audio résume ainsi la vie de Paul W. Klipsch et son influence sur l'industrie : « . . . l'enceinte Klipschorn et son concepteur Paul Klipsch sont de véritables légendes dans le domaine du son à haute fidélité. Rien de ce que je pourrais écrire n'en donnerait une description juste. »

KLIPSCHORN

L'objectif de Paul Klipsch fut de reproduire dans son salon la dynamique et le réalisme d'un concert d'orchestre symphonique. Nouveauté technique révolutionnaire lors de son lancement, l'enceinte Klipschorn® reste l'une des plus renommées dans le monde ; c'est la seule enceinte produite de façon continue depuis plus de 60 ans. L'enceinte Klipschorn témoigne d'une conception résistante au temps. D'une extrême sensibilité, cette enceinte intégralement pavillonnée trois voies à pavillon de graves trièdre plié a été conçue de façon à utiliser les murs et les coins de la pièce. Cette combinaison d'attributs lui permet de couvrir plus de neuf octaves avec un son dynamique, doux et à faible distorsion.

LA SCALA II

L'enceinte La Scala a été développée comme version plus facilement transportable du modèle Klipschorn, afin d'être utilisée pour la sonorisation de la campagne de Winthrop Rockefeller au poste de Gouverneur en 1963. Comme l'enceinte Klipschorn, elle offre une sensibilité extrême ; c'est une enceinte intégralement pavillonnée trois voies avec un pavillon à deux plis pouvant fonctionner indépendamment des coins de la pièce. Cela permet à l'enceinte La Scala d'offrir des performances comparables à celles du modèle Klipschorn, à l'exception d'une fréquence de coupure des graves légèrement plus élevée.

CORNWALL III

L'enceinte Cornwall a été commercialisée en 1959 pour remplacer le modèle Heresy comme enceinte de canal central pleine gamme de plus grande taille dans les systèmes stéréo à trois enceintes. Elle offre la réponse pleine gamme dans les graves du modèle Klipschorn, avec une sensibilité et une puissance proches de celles des modèles intégralement pavillonnés. Comme l'enceinte Heresy, l'enceinte Cornwall est un modèle compact trois voies utilisant des haut-parleurs pavillonnés à compression pour les fréquences médiums et aiguës, et un haut-parleur de graves de 38 centimètres à rayonnement direct pour les basses fréquences.

HERESY III

Lancée en 1957, l'enceinte Heresy fut d'abord une enceinte compacte de canal central pour les systèmes stéréo Klipschorn à trois enceintes. L'enceinte Heresy est un modèle compact trois voies utilisant des haut-parleurs pavillonnés à compression pour la reproduction des médiums et des aigus, et un haut-parleur de graves de 30 centimètres à rayonnement direct pour les basses fréquences.

DÉBALLAGE ET ASSEMBLAGE

Heresy III et Cornwall III

Les modèles Heresy III et Cornwall III sont des enceintes volumineuses et lourdes. Il est recommandé de prévoir deux personnes pour les déballer et les installer. Ouvrez les rabats supérieurs du carton et retirez le carton de l'enceinte après avoir retourné l'ensemble. Retirez les matériaux d'emballage et conservez-les en vue d'un usage ultérieur.

Klipschorn et La Scala II

Les enceintes basse fréquence et haute fréquence des modèles Klipschorn et La Scala II sont livrés dans deux cartons distincts. Ce sont des enceintes volumineuses et lourdes. Deux

personnes sont requises pour le déballage et l'installation. Les enceintes basse fréquence et haute fréquence des modèles Klipschorn et La Scala II sont appariées par numéros de série pour l'optimisation des performances acoustiques. Lors de l'assemblage de ces enceintes, veillez à ce que les éléments supérieur et inférieur aient le même numéro de série.

Klipschorn

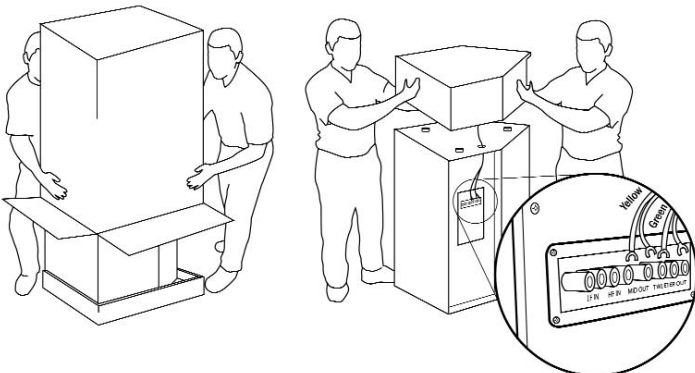
Ouvrez le grand carton de l'enceinte basse fréquence, par les rabats marqués « Open This End » (côté à ouvrir), retournez l'ensemble, retirez le carton de l'enceinte et enlevez les matériaux d'emballage. La partie supérieure de l'enceinte est identifiable à ses trois patins en caoutchouc (voir la figure 1). Mettez l'enceinte basse fréquence dans le coin prévu, afin de vérifier qu'il y a assez de place et qu'aucun obstacle ne s'y oppose. Retirez l'enceinte du coin et mettez en place l'enceinte haute fréquence. Pour préparer le raccordement, placez l'enceinte près du coin en laissant un peu de dégagement, retirez la grille basse fréquence (maintenue par deux écrous papillon) couvrant le panneau de raccordement sur le côté de l'enceinte, et mettez-la de côté jusqu'à la fin du raccordement.

Ouvrez le petit carton de l'enceinte haute fréquence, par les rabats marqués « Open This End » (côté à ouvrir) et retirez les matériaux d'emballage. Sortez l'enceinte haute fréquence du carton et placez-la sur l'enceinte basse fréquence. Alignez les trois patins en caoutchouc placés sur l'enceinte basse fréquence avec les trois logements à la partie inférieure de l'enceinte haute fréquence. Dans le trou de l'enceinte inférieure, insérez les fils des haut-parleurs d'aigus et de médiums sortant de l'enceinte supérieure. Raccordez la paire de fils comportant un repère vert (+) aux bornes repérées « Tweeter Out » (sortie aigus). Veillez à raccorder le fil à manchon vert (+) à la borne rouge (+) et le fil à manchon noir (-) à la borne noire (-). Suivez la même procédure pour raccorder la paire de fils comportant un repère jaune (+) aux bornes repérées « Mid Out » (sortie médiums). (Voir la figure 5.)

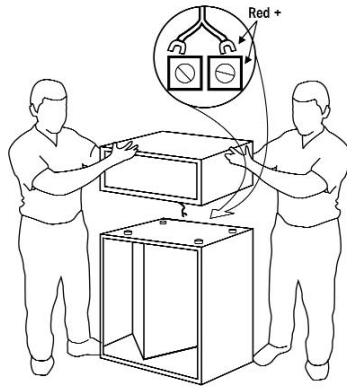
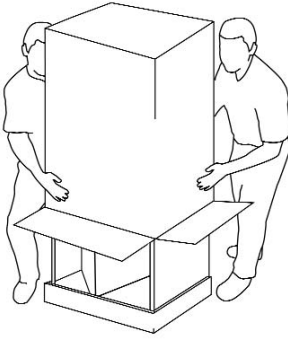
La Scala II

Ouvrez le grand carton de l'enceinte basse fréquence, par les rabats marqués « Open This End » (côté à ouvrir). Retournez l'ensemble, retirez le carton de l'enceinte et enlevez les matériaux d'emballage. La partie supérieure de l'enceinte est identifiable à ses trois patins en caoutchouc (voir la figure 2).

1



2



Pour l'enceinte haute fréquence La Scala II, ouvrez le petit carton par les rabats marqués « Open This End » (côté à ouvrir), et enlevez les matériaux d'emballage. La partie inférieure de l'enceinte apparaît avec le câble de raccordement basse fréquence attaché. Détachez ce câble, retournez le carton et retirez-le de l'enceinte. Avec l'aide d'une tierce personne, soulevez l'enceinte haute fréquence et posez-la sur l'enceinte basse fréquence, en faisant passer le câble basse fréquence par derrière sans le coincer entre les deux enceintes. Alignez les logements à la partie inférieure de l'enceinte haute fréquence sur les patins en caoutchouc placés sur l'enceinte basse fréquence. Raccordez le câble basse fréquence à la barrette de raccordement à deux vis placée à l'arrière de l'enceinte basse fréquence. Veillez à respecter la polarité en raccordant le fil à repère rouge à la borne à repère rouge, et le fil à repère noir à l'autre borne.

PLACEMENT

Les enceintes Klipsch Heritage offrent un bon fonctionnement dans diverses configurations ; toutefois, l'observation des conseils généraux ci-dessous permet d'obtenir les meilleurs résultats :

- Tous modèles : Placez-les enceintes le long d'un même mur, espacées de 1,8 à 4,5 mètres.
- La Scala, Cornwall, Heresy : Placez-les à équidistance du mur arrière.
- Heresy : Dans le cas d'un montage mural ou dans un meuble, placez-les à équidistance du sol, avec les haut-parleurs d'aigus à la hauteur d'oreille d'un auditeur assis.
- Tous modèles : Orientez les enceintes vers la position d'écoute et mettez-les de niveau ou à l'avant par rapport à tout obstacle adjacent.
- La Scala, Cornwall, Heresy : Placées près d'un coin ou d'un mur, les enceintes produisent le niveau de graves le plus élevé, tandis que l'énergie des graves est réduite lorsque les enceintes sont éloignées des cloisons de la pièce.
- Tous modèles : Le placement asymétrique d'une paire d'enceintes par rapport aux murs latéraux adjacents peut adoucir les inégalités induites par la pièce dans les graves.
- Suivez les conseils ci-dessus de façon à obtenir un résultat qui vous soit agréable et compenser les caractéristiques acoustiques de la pièce.

Klipschorn

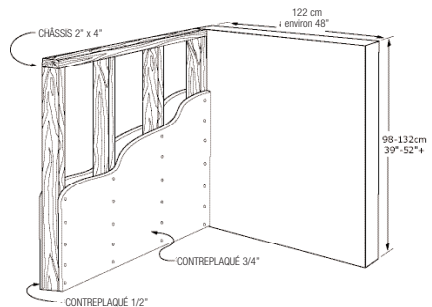
En général, le meilleur fonctionnement des enceintes Klipschorn est obtenu lorsqu'elles sont placées aux extrémités du mur le plus long d'une pièce rectangulaire. Si la pièce est très étroite et longue de plus de 5,5 à 6 mètres, l'image

stéréo risque de ne pas être optimale. Il est préférable que le rapport longueur sur largeur de la pièce soit de 1,00 à 0,618. En outre, il semble que les enceintes Klipschorn offrent un meilleur rendement pour une hauteur de plafond d'au moins 2,6 mètres. L'enceinte Klipschorn doit être placée dans un coin car les murs de la pièce servent de complément au pavillon basse fréquence de l'enceinte. Pour obtenir un fonctionnement dans toute la gamme basse fréquence, l'enceinte Klipschorn doit être calée dans un coin sans plinthe ni moulure, et les murs doivent dépasser d'au moins 64 centimètres des grilles latérales.

Faux coins

S'il n'y a pas de coins adéquats dans la pièce, des faux coins peuvent être construits pour permettre des performances dans les graves comparables à celles obtenues avec un coin complet, ainsi qu'un ajustement de l'orientation vers le centre de la pièce si nécessaire. Commencez par réaliser un châssis de tasseaux de 5 cm x 10 cm (2" x 4") de section, comme le montre la figure 3. Klipsch recommande d'utiliser des panneaux de contreplaqué de 122 cm (4') de large et de 19 mm (3/4") d'épaisseur, solidement collés et cloués au cadre. L'arrière peut être couvert d'un matériau moins épais tel que de la masonite de 5 mm (3/16") ou du contreplaqué de 13 mm (1/2"). Peignez de la couleur des murs, ou appliquez une finition laminée ou d'un autre matériau. (Voir la figure 3.) Dans le cas d'un très grand écartement, un faux coin peut être utilisé pour l'une des enceintes Klipschorn afin de réduire la distance entre les enceintes. Une autre solution, dans le cas d'enceintes Klipschorn très écartées avec un système unique-monté audiophonique, consiste à ajouter une enceinte centrale telle que le modèle La Scala, afin de créer un système stéréo à trois enceintes. Pour savoir comment effectuer le raccordement, veuillez contacter l'assistance technique de Klipsch en composant le 1-800-554-7724.

3



La Scala II

Grâce à son pavillon de graves plié autonome orienté vers l'avant, l'enceinte La Scala II peut être placée ailleurs que dans un coin si nécessaire. Toutefois, comme la plage de graves de ce modèle ne descend pas aussi bas que celle de l'enceinte Klipschorn, le renforcement acoustique basse fréquence du placement en coin peut être optimal. L'enceinte La Scala offre aussi une flexibilité totale pour l'amplitude d'orientation vers le centre de la pièce permettant d'obtenir l'image stéréo voulue. On peut également renforcer les extrêmes-graves à l'aide d'un caisson de graves Klipsch à hautes performances.

Cornwall III

L'enceinte Cornwall III offre la flexibilité du modèle La Scala en matière de placement et d'orientation vers le centre de la pièce, avec un fonctionnement aux très basses fréquences comparable à celui de l'enceinte Klipschorn pour une puissance réduite. Comme pour les modèles La Scala et Heresy, le placement en coin permet une puissance de graves supérieure à celle obtenue lorsque l'enceinte est éloignée du coin ou du mur arrière. Comme l'acoustique varie selon la pièce et les préférences personnelles, nous recommandons d'essayer différents emplacements afin d'optimiser les performances de l'enceinte. Les patins autocollants en caoutchouc fournis doivent être collés sous le piédestal pour le placement sur un parquet.

Heresy III

Parmi tous les modèles Heritage, l'enceinte Heresy III est celle qui offre la plus grande flexibilité de placement grâce à sa relative compacité. Elle couvre la même plage de fréquence de base que le modèle La Scala, mais avec une puissance plus modeste. Le placement au sol en coin permet un renforcement maximal des extrêmes-graves, et le piédestal oblique aide à compenser la petite taille de l'enceinte Heresy. Le piédestal peut être retiré pour permettre un placement sur une étagère ou dans un meuble. Les patins autocollants en caoutchouc fournis doivent être collés sous l'enceinte pour éviter de rayer les étagères ou d'autres surfaces.

RACCORDEMENT DES ENCEINTES

Attention : Avant tout raccordement, mettez l'amplificateur hors tension ! (Voir la figure 4.)

- Les enceintes sont pourvues de bornes de raccordement positives (rouges) et négatives (noires) placées à l'arrière ou sur le côté. Elles correspondent aux bornes positive et négative du canal correspondant (gauche, droit, etc.) de l'amplificateur et peuvent recevoir des fils nus, des cosses à fourche ou des fiches banane (voir la figure 4).
- Toutes les enceintes du système doivent être raccordées en phase, la borne positive de chaque enceinte étant raccordée à la borne positive de l'amplificateur. Procédez de la même façon avec les bornes négatives de l'enceinte et de l'amplificateur. Sur la plupart des câbles d'enceintes, des repères portés sur l'isolant de l'un des conducteurs facilitent la bonne réalisation du raccordement.
- Utilisez du câble de cuivre à deux conducteurs de calibre 16 (AWG) minimum, et de plus grosse section pour les grandes longueurs. Les bornes de l'enceinte permettent le raccordement de fils nus, de cosses à fourche ou de fiches banane.

- **Attention** : Quel que soit le type de raccordement, assurez-vous de l'absence de contact entre les polarités positive et négative au niveau de l'enceinte et de l'amplificateur afin que le matériel ne soit pas endommagé ! (Voir la figure 4.)

Klipschorn : Les bornes de raccordement se trouvent sur le panneau de raccordement sur le côté de l'enceinte basse fréquence. Deux des quatre paires de bornes de raccordement sont prévues pour les câbles d'enceintes venant de l'amplificateur. Elles sont repérées « HF IN » + et - / « LF IN » + et -. Les deux bornes rouges (+) sont reliées entre elles par des cavaliers, de même que les deux bornes noires (-). Pour un raccordement conventionnel à un fil, laissez ces cavaliers en place et utilisez l'une ou l'autre des paires de bornes. Retirez ces cavaliers pour le raccordement bi-câblage en option. (Voir la figure 5.) Une fois les raccordements terminés, remettez la grille latérale qui avait été retirée au début. En faisant glisser l'enceinte vers le coin, veillez à faire passer son câble dans l'encoche du coin inférieur arrière de la grille. Si le câble de l'enceinte vient du côté opposé au panneau de raccordement, faites-le passer par l'encoche de la grille, puis devant la planchette arrière et vers le panneau de raccordement.

Ne raccordez pas directement l'amplificateur aux fils de haut-parleur de médiums ou d'aigus, ni aux bornes repérées « Mid Out » ou « HF Out », car cela pourrait endommager le haut-parleur.

La Scala II : Les deux paires de bornes de raccordement placées à l'arrière de l'enceinte sont prévues pour les câbles d'enceintes venant de l'amplificateur. Ces bornes sont repérées « HF IN » + et - / « LF IN » + et -. Les deux bornes rouges (+) sont reliées entre elles par des cavaliers, de même que les deux bornes noires (-). Pour un raccordement conventionnel à un fil, laissez ces cavaliers en place et utilisez l'une ou l'autre des paires de bornes. Retirez ces cavaliers pour le raccordement bi-câblage. (Voir la figure 5.)

Cornwall III et Heresy III : Les deux paires de bornes de raccordement placées à l'arrière de l'enceinte sont prévues pour les câbles d'enceintes venant de l'amplificateur. Ces bornes sont repérées « HF+ », « HF- », « LF+ » et « LF- » ; les deux bornes rouges (+) sont reliées entre elles par des cavaliers, de même que les deux bornes noires (-). Pour un raccordement conventionnel à un fil, laissez ces cavaliers en place et utilisez l'une ou l'autre des paires de bornes. Retirez ces cavaliers pour le raccordement bi-câblage (voir la figure 4).

GARANTIE (ÉTATS-UNIS ET CANADA UNIQUEMENT)

La garantie ci-dessous n'est valide que pour la vente aux particuliers aux États-Unis et au Canada.

KLIPSCH, L.L.C. (« KLIPSCH ») garantit ce produit contre tout vice de matériaux et de fabrication (sous réserve des termes établis ci-dessous) pendant une période de cinq ans à partir de la date d'achat. Pendant la période de garantie, KLIPSCH réparera ou remplacera (selon son choix) ce produit ou toute pièce défectueuse (à l'exception des composants électroniques et des amplificateurs). Pour les produits contenant des

composants électroniques ou des amplificateurs, la garantie sur ces pièces est d'une durée de deux ans à compter de la date d'achat.

Pour obtenir une réparation sous garantie, adressez-vous au détaillant agréé KLIPSCH qui vous a vendu ce produit. Si ce détaillant n'est pas équipé pour effectuer la réparation de votre produit KLIPSCH, celui-ci peut être retourné à KLIPSCH, en port payé, pour être réparé. Veuillez téléphoner à KLIPSCH au 1-800-KLIPSCH pour obtenir les instructions. Ce produit doit être expédié dans son emballage d'origine ou dans un emballage assurant un niveau de protection identique.

Une preuve d'achat telle qu'une facture ou un reçu, attestant que le produit est toujours couvert par la garantie d'un an, doit être présentée ou incluse pour que la garantie puisse s'appliquer.

Cette garantie est nulle dans les cas suivants : (a) le numéro de série apposé en usine a été modifié ou retiré de ce produit ; (b) ce produit n'a pas été acheté auprès d'un détaillant agréé KLIPSCH.

Pour vérifier que votre produit a été acheté auprès d'un détaillant agréé KLIPSCH et que son numéro de série n'a pas été modifié, téléphonez au 1-800-KLIPSCH.

Cette garantie ne couvre que l'acheteur initial et se termine automatiquement avant expiration si ce produit est vendu ou cédé à un tiers.

Cette garantie ne couvre pas les dommages esthétiques ou les dégâts résultant d'une utilisation abusive, d'un cas de force majeure, d'un accident, d'une utilisation commerciale ou de la modification de ce produit ou de l'un de ses composants.

Cette garantie ne couvre pas les dégâts résultant d'une utilisation, d'un entretien ou d'une installation incorrecte, ou d'une tentative de réparation par quiconque autre que KLIPSCH ou un détaillant KLIPSCH autorisé par KLIPSCH à effectuer une réparation sous garantie. Toute réparation non autorisée annule la présente garantie. Cette garantie ne couvre pas les produits vendus EN L'ÉTAT.

LE SEUL RECOURS DU CLIENT EST LA RÉPARATION OU LE REMPLACEMENT SELON LES TERMES DE CETTE GARANTIE. KLIPSCH DÉCLINE TOUTE RESPONSABILITÉ POUR TOUT DOMMAGE DIRECT OU INDIRECT RÉSULTANT DU NON RESPECT DE TOUTE GARANTIE EXPRESSE OU IMPLICITE RELATIVE À CE PRODUIT. À L'EXCEPTION DES CAS OÙ LA LÉGISLATION L'INTERDIT, CETTE GARANTIE EST EXCLUSIVE ET REMPLACE TOUTE AUTRE GARANTIE EXPRESSE OU IMPLICITE, Y COMPRIS, MAIS SANS S'Y LIMITER, LES GARANTIES DE VALEUR MARCHANDE OU D'ADÉQUATION À UN USAGE PARTICULIER.

Certaines juridictions ne permettent pas l'exclusion ou la limitation des garanties implicites ou des dommages directs ou indirects. Il est donc possible que dans certains cas, les exclu-

sions ci-dessus ne s'appliquent pas. Cette garantie vous confère des droits spécifiques, et vous pouvez également bénéficier d'autres droits variant suivant la juridiction.

GARANTIE DANS LES PAYS AUTRES QUE LES ÉTATS-UNIS ET LE CANADA

Si ce produit est vendu dans des pays autres que les États-Unis et le Canada, la garantie doit être conforme aux lois en vigueur et n'engage que la responsabilité du distributeur qui a fourni ce produit. Pour bénéficier de toute intervention sous garantie applicable, contactez le vendeur auprès duquel le produit a été acheté ou le distributeur ayant fourni le produit.

WICHTIGE SICHERHEITSHINWEISE

1. LESEN Sie diese Anweisungen durch.
2. BEHALTEN Sie diese Anweisungen.
3. BEACHTEN Sie alle Warnhinweise.
4. FOLGEN Sie allen Anleitungen.
5. Verwenden Sie diese Geräte NICHT in der Nähe von Wasser.
6. Reinigen Sie sie NUR mit einem trockenen Tuch.
7. Blockieren Sie KEINE Lüftungsöffnungen. Installieren Sie die Geräte entsprechend den Herstelleranweisungen.
8. Installieren Sie sie NICHT in der Nähe von Wärmequellen wie Heizkörpern, Warmlufteintrittsöffnungen, Öfen oder anderen wärmeerzeugenden Geräten (einschließlich Verstärkern).
9. Verwenden Sie AUSSCHLIESSLICH vom Hersteller empfohlene Zusatzgeräte/Zubehör.
10. VERWENDEN Sie ausschließlich Wagen, Ständer, Stative, Halterungen oder Tische, die vom Hersteller empfohlen oder mit dem Gerät verkauft wurden. Bei Verwendung eines Wagens sollten Sie vorsichtig sein, damit Wagen und Gerät nicht umkippen und Verletzungen verursachen.
11. Lassen Sie ALLE Wartungen von geschulten Kundendiensttechnikern durchführen. Eine Wartung ist nötig, wenn das Gerät auf irgendeine Weise beschädigt wurde, z.B. durch Schäden am Netzkabel oder -stecker, durch Verschütten von Flüssigkeiten, durch das Hineinfallen von Objekten, durch Regen oder Feuchtigkeit, wenn es nicht richtig funktioniert oder wenn es fallengelassen wurde.



Dieses Symbol weist darauf hin, dass die dieser Einheit beiliegenden Anleitungen wichtige Betriebs- und Wartungsanweisungen enthalten.

WARNING: Um die Gefahr eines Feuers oder Stromschlags zu verringern, ist dieses Gerät vor Regen oder Feuchtigkeit zu schützen.

WARNING: Enthält keine durch den Benutzer zu wartenden Teile. Lassen Sie alle Wartungen von geschulten Kundendiensttechnikern durchführen.

INSPEKTION

Wir wollen sicherstellen, dass Ihr neues Lautsprechersystem fabrikmäßig aussieht! Prüfen Sie bitte gleich, ob etwaige Transportschäden vorliegen. Packen Sie Ihr neues Lautsprechersystem sorgfältig aus und vergleichen Sie die Komponenten mit der Packliste. In Extremfällen könnten Teile während des Transports beschädigt worden sein. Falls Schäden festgestellt werden, müssen Sie die Spedition und den Fachhändler benachrichtigen, bei dem Sie das System gekauft haben. Verlangen Sie eine Inspektion und folgen Sie den Bewertungsanweisungen. Werfen Sie den Lieferkarton des Produkts nicht weg.

ÜBER IHR KLIPSCH-PRODUKT

Vielen Dank, dass Sie Klipsch Heritage-Lautsprecher gekauft haben. Nach der Lektüre dieses Handbuchs und dem Anschluss Ihres Systems werden Sie das Ergebnis von über 60 Jahren herausragender Technologie und führender

Forschungs- und Entwicklungsarbeit hören können. Wie alle Produkte von Klipsch verfügen auch Ihre Lautsprecher über die Klipsch Horn-Load-Technologie – das Grund-Design für das erste, 1946 entwickelte Klipschhorn® und für jedes darauf folgende Klipsch-Produkt. Horn-Loading ermöglicht es Ihrem Lautsprecher, eine hohe Empfindlichkeit, einen großen Dynamikbereich, eine niedrige Verzerrung, einen ebenen Frequenzgang und ein breites Abstrahlverhalten zu bieten. Dies führt zu unvergleichlicher Leistung, Klangtreue und Dynamik, eben den Merkmalen des „Klipsch-Sound“. Füllen Sie bitte die Garantiekarte auf der Rückseite dieses Handbuchs aus, oder tun Sie dies online bei www.klipsch.com, so dass wir Ihnen besser helfen können. Nochmals vielen Dank, dass Sie Klipsch gewählt haben. Wir hoffen, dass Ihre Lautsprecher viele Jahre lang Ihre Musik und Ihre Filme zum Leben erwecken werden.

PAUL W. KLIPSCH

Die Klipsch Heritage-Lautsprecher gehen direkt auf die geniale Kreativität von Paul W. Klipsch zurück. Die in diesen Lautsprechern eingesetzte Technologie ist heute noch so überzeugend wie 1946, als Paul Klipsch and Associates gründete und das Klipschhorn® herausbrachte. Der Gründer unserer Firma gilt als ein Pionier und Trendsetter der Audio-Industrie. Die Karriere Pauls war bemerkenswert und führte schließlich 1997 zu seiner Aufnahme in die Engineering and Science Hall of Fame. Diese Ehrung teilt er mit so berühmten Personen wie Thomas Edison, George Washington Carver und den Gebrüder Wright. Paul erhielt im Laufe seines Lebens bedeutende Auszeichnungen, wie etwa die 1994 erfolgte Benennung der Fakultät für Elektrotechnik und Informatik an der New Mexico State University, Paul Alma Mater, in das Klipsch Department of Electrical and Computer Engineering. 1978 erhielt Paul die prestigeträchtige Silbermedaille der Audio Engineering Society of America und wurde in die Audio Hall of Fame aufgenommen.

Das sind nur einige der Leistungen eines großartigen Audio-Ingenieurs und herausragenden Menschen.

Die Zeitschrift Hi-Fidelity bezeichnet Paul als „den Inbegriff eines Menschen, der immer weiter strebte und neue Grenzen setzte“. In der Zeitschrift Audio wurde im November 1986 der Einfluss von Paul W. Klipsch auf die Branche folgendermaßen beschrieben: „... das Klipschhorn und sein Designer Paul Klipsch sind wahre Legenden im Bereich des Hi-Fi-Sound. Dieser Beschreibung lässt sich nichts mehr hinzufügen.“

KLIPSCHORN

Das Ziel von Paul Klipschs Design war es, die Dynamik und Faszination der Vorführung eines Symphonieorchesters in seinem Wohnzimmer zu reproduzieren. Das Klipschhorn® stellte bei seiner Einführung einen technischen Durchbruch dar und ist heute noch einer der am meisten gelobten Lautsprecher der Welt, sowie der einzige Lautsprecher, der seit über 60 Jahren produziert wird. Das Design des Klipschhorn hat sich als ein Klassiker erwiesen. Dieser Dreiweg-Lautsprecher mit voller Horn-Load-Funktion und einem gefalteten dreiflächigen Basshorn verwendet die Wände und Ecken des Hörraums als Teil seines Designs. Diese Kombination von Eigenschaften ermöglicht es ihm, mehr als neun volle Oktaven mit dynamischem, glattem und extrem verzerrungsarmem Sound abzudecken.

LA SCALA II

La Scala wurde als ein besser transportierbares Klipschorn entwickelt und 1963 in der Kampagne von Winthrop Rockefeller für das Gouverneurs-Amt als Ansagelautsprecher eingesetzt. Wie das Klipschorn verfügt auch dieser Lautsprecher über extrem hohe Empfindlichkeit, und er ist ein Dreiweg-Lautsprecher mit voller Horn-Load-Funktion mit einem kürzeren, zweifach gefalteten Basshorn, das von den Ecken des Hörraums unabhängig ist. Deshalb ist der einzige Kompromiss im Soundbereich bei dem La Scala im Vergleich zum Klipschorn ein etwas höherer Bass-Cutoff.

CORNWALL III

Der Cornwall wurde 1959 als größere Vollbereichs-Alternative zum Heresy als Center-Lautsprecher in Stereoanordnungen mit drei Lautsprechern eingeführt. Er kombiniert die volle Basswiedergabe des Klipschorn mit einer Empfindlichkeit und einer Leistung, die den Modellen mit vollem Horn-Loading ähnlich sind. Wie der Heresy ist der Cornwall ein kompaktes Dreiweg-Modell mit Horn-Load-Kompressionstreibern für die Wiedergabe der mittleren und hohen Töne und einem direkt abstrahlenden Tieftöner (38,1 cm) für die tiefen Frequenzen.

HERESY III

Der erstmals 1957 eingeführte Heresy-Lautsprecher war zunächst ein kompakter Center-Lautsprecher für das Klipschorn in Stereoanordnungen mit drei Lautsprechern. Der Heresy ist ein kompaktes Dreiweg-Modell mit Horn-Load-Kompressionstreibern für die Wiedergabe der mittleren und hohen Töne und einem direkt abstrahlenden Tieftöner (30,5 cm) für die tiefen Frequenzen.

AUSPACKEN UND ZUSAMMENBAU

Heresy III und Cornwall III

Bei den Modellen Heresy III und Cornwall III handelt es sich um große, schwere Lautsprecher. Diese Modelle sollten von zwei Personen ausgepackt und installiert werden. Öffnen Sie das obere Ende des Kartons, drehen Sie den Karton um und ziehen Sie ihn vom Lautsprecher. Entfernen Sie das Verpackungsmaterial und heben Sie es auf.

Klipschorn und La Scala II

Die Tief- und Hochfrequenzgehäuse für Klipschorn und La Scala II werden in zwei separaten Kartons ausgeliefert. Diese Lautsprecher sind groß und schwer. Für Auspacken und Installation sind zwei Personen erforderlich. Die Tief- und Hochfrequenzgehäuse für Klipschorn und La Scala II müssen in der Seriennummer übereinstimmen, um

eine optimale akustische Leistung sicherzustellen. Überprüfen Sie beim Zusammenbau dieser Lautsprecher bitte die Seriennummern des oberen und unteren Gehäuses.

Klipschorn

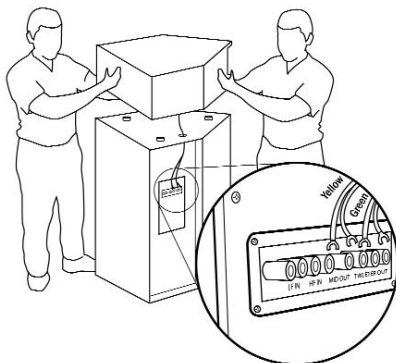
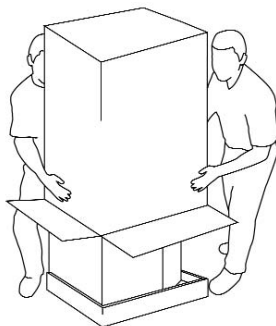
Öffnen Sie die Laschen des mit „Open this End“ markierten größeren Tieffrequenzkartons, drehen Sie den Karton um und ziehen ihn vom Lautsprechergehäuse ab und entfernen Sie das innere Verpackungsmaterial. Die Oberseite des Gehäuses mit seinen drei Gummipuffern sollte nach oben zeigen. (Siehe Abbildung 1.) Schieben Sie das Bassgehäuse in die Ecke, wo es aufgestellt werden sollte, um zu prüfen, dass es passt, und sehen Sie, ob es Hindernisse für eine bündige Einpassung gibt. Entfernen Sie das Gehäuse aus der Ecke, um das Hochfrequenzgehäuse zu installieren. Platzieren Sie den Lautsprecher vor dem Anschließen in der Nähe der, aber nicht ganz in der Ecke und entfernen Sie den Tieffrequenzgrill (zwei Flügelmuttern) an der Eingangsseite des Gehäuses, und legen Sie ihn beiseite, bis das Anschließen beendet ist.

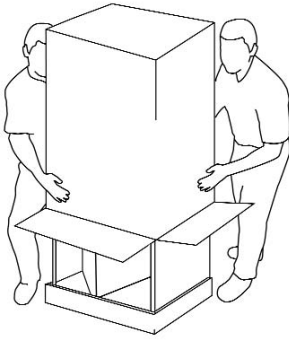
Öffnen Sie die mit „Open this End“ markierte Seite des kleineren Hochfrequenzkartons und entfernen Sie das Verpackungspolster. Heben Sie das Hochfrequenzgehäuse aus dem Karton und setzen Sie es oben auf das Tieffrequenzgehäuse. Richten Sie die drei Gummipuffer an der Oberseite des Tieffrequenzgehäuses an den drei Vertiefungen an der Unterseite des Hochfrequenzgehäuses aus. Führen Sie die Hoch- und Mittelton-Lautsprecherkabel am oberen Gehäuse durch das Loch in der niedrigeren Platte des Gehäuses ein. Verbinden Sie das grün markierte Kabelpaar (+) mit den zwei Terminals mit der Beschriftung „Tweeter Out“. Passen Sie dabei auf, dass die roten (+) und schwarzen (-) Terminals entsprechend den grünen (+) und schwarzen (-) Hülsen am Ende der Kabel verbunden werden. Folgen Sie dem gleichen Verfahren bei der Verbindung des gelb markierten Kabelpaares mit den zwei Terminals mit der Beschriftung „Mid Out“. (Siehe Abbildung 5.)

La Scala II

Öffnen Sie die Laschen des mit „Open this End“ markierten größeren Tieffrequenzkartons. Drehen Sie den Karton um, ziehen ihn vom Lautsprechergehäuse ab und entfernen Sie das innere Verpackungsmaterial. Die Oberseite des Gehäuses mit seinen drei Gummipuffern sollte nach oben zeigen. (Siehe Abbildung 2.)

1



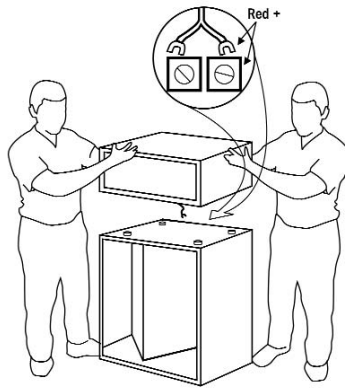


Öffnen Sie beim La Scala II Hochfrequenzgehäuse die Seite des kleineren Kartons, die mit „Open This End“ beschriftet ist ab, und entfernen Sie das Verpackungspolster. Die Unterseite des Gehäuses (mit dem angeschlossenen Tieffrequenz-Verbindungskabel) sollte nach oben gerichtet sein. Lösen Sie das Kabel, drehen Sie den Karton um und ziehen Sie ihn vom Gehäuse ab. Heben Sie zusammen mit einem Helfer das Hochfrequenzgehäuse vom Boden und platzieren Sie es auf der Oberseite des Tieffrequenzgehäuses, wobei das Tieffrequenzkabel nach hinten und durch den Spalt zwischen den Gehäusen zu führen ist. Richten Sie die Vertiefungen an der Unterseite des Hochfrequenzgehäuses an den Gummipuffern an der Oberseite des Tieffrequenzgehäuses aus. Schließen Sie das Tieffrequenzkabel an den zweischraubigen Barrier Strip-Klemmen an der Rückseite des Tieffrequenzgehäuses an. Achten Sie auf die korrekte Polung, indem Sie den Draht mit der roten Markierung mit dem roten Terminal und den Draht mit der schwarzen Markierung mit dem schwarzen Terminal verbinden.

PLATZIERUNG

Ihre Lautsprecher der Klipsch Heritage-Serie bieten in einer Vielzahl von Positionen eine gute Leistung, aber Sie können diese optimieren, indem Sie folgenden Regeln folgen:

- Alle: An einer gemeinsamen Wand platzieren, ca. 2 bis 5 m voneinander entfernt.
- La Scala, Cornwall, Heresy: In gleichen Abständen von der Wand hinter den Lautsprechern aufstellen.
- Heresy: Gleiche Höhe über dem Boden, wobei die Hochtöner sich auf Ohrhöhe einer sitzenden Person befinden sollten, wenn sie an der Wand oder in einer Schrankwand befestigt werden.
- Alle: Drehen Sie die Lautsprecher in Richtung auf den Zuhörer und platzieren Sie sie bündig mit oder vor allen blockierenden Objekten.
- La Scala, Cornwall, Heresy: Die Platzierung in der Nähe einer Ecke oder Wand bietet die meiste Bassleistung, während der Bass schwächer wird, wenn Sie die Lautsprecher von den Raumgrenzen weg aufstellen.
- Alle: Die asymmetrische Aufstellung eines Lautsprecherpaars an benachbarten Seitenwänden kann eine durch die Raumstruktur erzeugte Unebenheit der Basswiedergabe ausgleichen.
- Experimentieren Sie mit diesen Richtlinien, um ein Ergebnis zu erzielen, das Ihrem Geschmack entspricht und die Raumakustik kompensiert.



Klipschorn

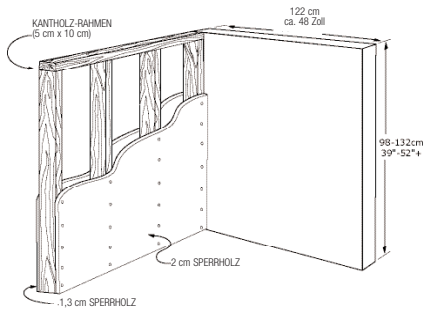
Klipschorn-Lautsprecher bieten meistens die beste Leistung, wenn sie in den Ecken der langen Wand eines rechteckigen Raums platziert werden. Wenn der Raum sehr schmal und lang ist, und die Ecken mehr als 5-6 m voneinander entfernt sind, leidet eventuell das Stereo-Klangbild. Ein Raum mit einem Längen-Breiten-Verhältnis von 1,00 zu 0,618 wäre am besten. Zudem scheinen Klipschorn-Lautsprecher von Deckenhöhen über 2,60 m zu profitieren. Das Klipschorn muss in Ecken aufgestellt werden, da die Wände des Raums das Basshorn des Lautsprechers unterstützen. Um die tiefsten Frequenzen zu erreichen, sollte das Klipschorn bündig in eine Ecke passen, ohne Behinderung durch Fuß- oder Zierleisten, und die Wände sollten sich mindestens 64 cm jenseits der Seitengrills erstrecken.

Künstliche Ecken

Wenn in Ihrem Hörraum keine geeigneten Ecken vorhanden sind, können künstliche Ecken gebaut werden, um eine Bassleistung wie bei einer richtigen Ecke zu bieten und auch eine verstellte Ausrichtung nach innen zu ermöglichen. Beginnen Sie, wie in Abbildung 3 gezeigt, mit einem 60 cm x 120 cm großen Rahmen aus Kanthölzern. Klipsch empfiehlt, 120 cm breite und ca. 2 cm dicke Sperrholzplatten zu verwenden, die fest an den Rahmen geklebt und genagelt werden. Die Rückseite kann mit einem dünneren Material bedeckt werden, wie 0,5 cm Holzfaserverplatten oder 1,3 cm dickem Sperrholz. Lackieren Sie alles in der Wandfarbe, oder decken Sie es mit einem Laminat oder anderem Material ab. (Siehe Abbildung 3.) Wenn ein sehr großer Lautsprecherabstand besteht, kann eine künstliche Ecke für ein Klipschorn verwendet werden, um den Abstand zu verringern. Eine weitere Lösung bei weit entfernten Klipschorn-Lautsprechern in einem reinen Audiosystem wäre die Verwendung eines Center-Lautsprechers (z. B. La Scala), um eine Stereoanordnung mit drei Lautsprechern zu bilden. Details über die Anschlüsse erhalten Sie vom Klipsch-Kundendienst (USA 1-800-554-7724) oder wenden Sie sich an einen örtlichen autorisierten Klipsch-Fachhändler.

La Scala II

La Scala II bietet ein allein einsetzbares, nach vorn ausgerichtetes gefaltetes Basshorn, das, falls nötig, eine Platzierung außerhalb von Ecken ermöglicht. Da allerdings dieses Modell einen weniger tiefen Bass bietet als das Klipschorn, wäre die akustische Verstärkung der tiefen Frequenzen durch eine Eckaufstellung optimal. La Scala bietet auch viel Flexibilität hinsichtlich der Ausrichtung nach innen für



ein besseres Stereo-Klangbild. Die Tiefbassleistung kann auch durch einen leistungsstarken Klipsch-Subwoofer verbessert werden.

Cornwall III

Der Cornwall III kombiniert die Platzierungs- und Ausrichtungsflexibilität der La Scala mit den niedrigen Bassfrequenzen des Klipschorn, bei reduzierter Leistung. Wie bei La Scala und Heresy bietet eine Eckaufstellung die höchste Bassleistung, während bei der Platzierung weg von den Ecken oder der Rückwand der Bass reduziert wird. Da sich die Raumakustik und der persönliche Geschmack unterscheiden können, sollten Sie verschiedene Platzierungen ausprobieren, um die Lautsprecherleistung zu optimieren. Es liegen selbstklebende Gummifüßchen bei, die Sie zur Verwendung auf Holzböden an der Unterseite des Sockels anbringen können.

Heresy III

Der Heresy III bietet aufgrund seiner relativ kompakten Größe die meiste Platzierungsflexibilität aller Heritage-Modelle. Er bietet ungefähr den gleichen Frequenzbereich wie das Modell La Scala, aber bei geringerem Schallpegel. Eine Platzierung am Boden und in der Ecke bietet die meiste Tiefbassverstärkung, und der schräge Sockel kompensiert teilweise die geringe Höhe des Heresy. Bei der Platzierung in einem Regal oder einer Schrankwand kann der Sockel entfernt werden. Es liegen selbstklebende Gummifüßchen bei, die an der Unterseite des Gehäuses angebracht werden können, damit Regale oder harte Oberflächen nicht zerkratzt werden.

ANSCHLUSS DES LAUTSPRECHERS

Vorsicht: Schalten Sie vor der Herstellung von Anschlüssen den Verstärker aus! (Siehe Abbildung 4.)

- Ihre Lautsprecher verfügen über positive (rote) und negative (schwarze) Anschluss terminals an der Rückseite oder Seite des Gehäuses. Diese entsprechen den positiven und negativen Terminals am jeweiligen Kanal (links, rechts etc.) Ihres Verstärkers. Anschlüsse können mit blankem Draht, Gabelschuhen oder Bananensteckern vorgenommen werden. (Siehe Abbildung 4.)
- Alle Lautsprecher in Ihrem System müssen richtig gepolt angeschlossen sein, so dass positive Lautsprecherterminals mit positiven Verstärkerminals verbunden sind. Wiederholen Sie dies bei den negativen Lautsprecher- und Verstärkerminals. Die meisten Lautsprecherkabel haben Markierungen an der Isolierung eines der Leiter, die Ihnen beim Anschluss helfen.
- Verwenden Sie mindestens 16-Gauge-Kupferdraht (AWG) mit zwei Leitern und Draht mit einem höheren Gauge-Wert für längere Strecken. An die Terminals Ihres Lautsprechers

können Anschlüsse mit blankem Draht, Gabelschuhen oder Bananensteckern vorgenommen werden.

- **Vorsicht:** Passen Sie bei allen Anschlusstypen auf, dass kein Kontakt zwischen den positiven und negativen Terminals am Lautsprecher bzw. Verstärker vorhanden ist. Ansonsten kann es zu Schäden am Gerät kommen! (Siehe Abbildung 4.)

Klipschorn: Die Anschlüsse befinden sich am Eingangsfeld an der Seite des Tieffrequenzgehäuses. Zwei der vier Terminalpaare dienen zum Anschluss der Ihrem Verstärker kommenden Lautsprecherkabel. Sie tragen die Bezeichnung „HF IN“ + und – / „LF IN“ + bzw. –. Die beiden roten (+) wie auch die beiden schwarzen (-) Terminals sind mit Drahtbrücken verbunden. Bei konventionellen Anschlüssen mit einem Kabel entfernen Sie die Drahtbrücken nicht und verwenden eines der Terminals.

Für das optionale Bi-Wiring entfernen Sie die Drahtbrücken. (Siehe Abbildung 5.) Nachdem Sie alle Anschlüsse durchgeführt haben, setzen Sie den vorher entfernten seitlichen Grill wieder ein. Achten Sie darauf, dass das Lautsprecherkabel durch die Aussparung in der unteren hinteren Ecke des Grills verläuft, wenn der Lautsprecher in die Ecke geschoben wird. Wenn das Lautsprecherkabel von der dem Eingangsfeld entgegengesetzten Seite kommt, verlegen Sie es durch die Aussparung am Lautsprechergrill, dann vor der Rückwand und in das Eingangsfeld.

Verbinden Sie den Verstärker nicht direkt mit den Mittel- oder Hochtönerkabeln oder mit den Terminals „Mid Out“ oder „HF Out“, da Sie sonst den Lautsprecher beschädigen können.

La Scala II: Die beiden Terminalpaare auf der Rückseite des Lautsprechers dienen zum Anschluss der von Ihrem Verstärker kommenden Lautsprecherkabel. Sie tragen die Bezeichnung „HF IN“ + und – / „LF IN“ + bzw. –. Sowohl die roten (+) als auch die schwarzen (-) Terminals sind mit Drahtbrücken verbunden. Bei konventionellen Anschlüssen mit einem Kabel entfernen Sie die Drahtbrücken nicht und verwenden eines der Terminals. Für das Bi-Wiring entfernen Sie die Drahtbrücken. (Siehe Abbildung 5.)

Cornwall III und Heresy III: Die beiden Terminalpaare auf der Rückseite des Lautsprechers dienen zum Anschluss der von Ihrem Verstärker kommenden Lautsprecherkabel. Diese Terminals tragen die Bezeichnung „HF+“, „HF-“, „LF+“ und „LF-“ und haben sowohl rote (+) als auch schwarze (-) Anschlüsse, die mit Metallstreifen verbunden sind. Bei konventionellen Anschlüssen mit einem Kabel entfernen Sie die Streifen nicht und verwenden eines der Terminals. Entfernen Sie die Streifen für das Bi-Wiring (siehe Abbildung 4).

GARANTIE AUSSERHALB DER USA UND KANADA

Wenn dieses Produkt an einen Käufer außerhalb der USA oder Kanadas verkauft wird, richten sich die Garantieansprüche nach den jeweiligen gesetzlichen Bestimmungen und fallen unter die alleinige Verantwortung des Vertriebs, der dieses Produkt ausgeliefert hat. Um Garantieleistungen zu beanspruchen, wenden Sie sich bitte an den Fachhändler, der dieses Produkt verkauft hat, oder den Vertrieb.

ISTRUZIONI IMPORTANTI PER LA SICUREZZA

1. LEGGERE queste istruzioni.
2. CONSERVARE queste istruzioni.
3. PRESTARE ATTENZIONE alle avvertenze.
4. ATTENERSI a tutte le istruzioni.
5. NON utilizzare questo apparecchio in prossimità di acqua.
6. PULIRE SOLO con un panno asciutto.
7. NON bloccare le aperture per la ventilazione. Installare secondo le istruzioni fornite dal fabbricante.
8. NON installare vicino a fonti di calore, quali ad esempio radiatori, camini, stufe o altre apparecchiature che generino calore, inclusi gli amplificatori.
9. UTILIZZARE SOLO gli accessori in dotazione forniti dal fabbricante.
10. UTILIZZARE solo con i carrelli, i supporti, i treppiedi, le staffe o i tavoli specificati dal fabbricante o venduti con l'apparecchio. Se viene usato un carrello, fare attenzione per evitare danni dovuti al ribaltamento del carrello stesso o dell'apparecchio.
11. CONTATTARE personale di assistenza qualificato per qualsiasi intervento di assistenza. Richiedere assistenza se l'apparato è danneggiato, per esempio se si rilevano danni alla spina o al cavo di alimentazione, se è stato versato del liquido sull'apparato o se è stato esposto a pioggia o umidità, se non funziona normalmente o se è caduto.



Questo simbolo indica che nella documentazione allegata all'unità sono presenti istruzioni importanti relative al funzionamento e alla manutenzione.

AVVERTENZA: per ridurre al minimo il rischio di incendio o di scossa elettrica, non esporre l'apparecchiatura a pioggia o umidità.

AVVERTENZA: all'interno non sono presenti parti riparabili dall'utente. Contattare personale di assistenza qualificato per qualsiasi intervento di assistenza.

ISPEZIONE

L'aspetto del nuovo sistema di diffusori deve essere identico a quello spedito dalla fabbrica. Controllare immediatamente che non si siano verificati danni durante il trasporto. Disimballare il nuovo sistema di diffusori con cautela e controllare che i componenti corrispondano a quanto riportato nella distinta. In alcuni casi straordinari possono verificarsi danni durante il trasporto. Nel caso in cui si rilevassero eventuali danni, contattare la società che ha effettuato la spedizione e il rivenditore da cui è stato acquistato il sistema. Richiedere che venga effettuata un'ispezione e seguire le istruzioni che verranno fornite per eseguire la valutazione. Conservare l'imballaggio originale del prodotto.

IL VOSTRO NUOVO PRODOTTO KLIPSCH

Vi ringraziamo per l'acquisto di questi diffusori Klipsch Heritage. Dopo aver letto questo manuale ed aver collegato il sistema, potrete ascoltare il risultato di oltre 60 anni di progettazioni rigorose e di ricerca e sviluppo all'avanguardia. Come tutti i prodotti Klipsch, i vostri diffusori includono la tecnologia a tromba Klipsch, il design che ha guidato il primo Klipschorn® sviluppato nel 1946 e tutti i prodotti Klipsch successivi. La tec-

nologia a tromba permette ai diffusori di generare un alto livello di sensibilità, un'ampia gamma dinamica, un basso livello di distorsione, dispersione ampia e risposta in frequenza piatta, generando così la potenza, il dettaglio e la dinamica senza precedenti che contraddistinguono il "Suono Klipsch". Completare la scheda di garanzia sul retro di questo manuale, oppure registrare il prodotto su Internet presso il sito www.klipsch.com per permetterci di assistervi meglio. Vi ringraziamo nuovamente di aver scelto Klipsch e speriamo che i vostri diffusori diano nuova vita alla vostra musica e ai vostri film preferiti per molti anni.

PAUL W. KLIPSCH

I diffusori Klipsch Heritage sono il risultato della progettazione innovativa di Paul W. Klipsch. La tecnologia presente in questi diffusori è valida oggi quanto lo era nel 1946, quando Paul Klipsch fondò la Klipsch and Associates lanciando il modello Klipschorn®. Il fondatore della nostra azienda è stato riconosciuto per la sua attività di pioniere e innovatore nel settore dell'audio. Paul Klipsch vanta una carriera straordinaria, culminata con l'investitura nella prestigiosa Engineering and Science Hall of Fame nel 1997, un'onorificenza che in passato è stata conferita tra gli altri a Thomas Edison, George Washington Carver e ai fratelli Wright. Durante la sua vita, Paul Klipsch ha ottenuto numerosi riconoscimenti, inclusa la dedica a suo nome della facoltà di ingegneria elettronica e informatica della New Mexico State University, l'università presso la quale si è laureato. Nel 1978, è stata conferita a Paul Klipsch la prestigiosa medaglia d'argento dell'Audio Engineering Society of America ed è stato investito nella Audio Hall of Fame. Questi sono solo alcuni dei traguardi raggiunti da una persona eccezionale dal punto di vista personale e professionale. La rivista Hi-Fidelity ha detto a proposito di Paul Klipsch che era, "un pioniere che ha superato i limiti preesistenti e li ha ridefiniti". Il numero di novembre 1986 della rivista Audio riassume l'influenza di Paul W. Klipsch sul settore dicendo che "... il Klipschorn e il suo progettista Paul Klipsch sono leggendari nel settore dell'audio ad alta fedeltà. Le parole che potremmo usare per descriverli non possono rendere giustizia".

KLIPSCHORN

L'obiettivo di Paul Klipsch durante la progettazione era riprodurre la dinamica e le emozioni di un concerto di un'orchestra sinfonica nel suo soggiorno. Quando è stato lanciato sul mercato, il Klipschorn® ha rappresentato un notevole passo in avanti nella tecnologia, ed oggi continua ad essere uno dei diffusori più rinomati al mondo, oltre ad essere l'unico diffusore che è stato prodotto senza interruzioni per più di 60 anni. Il Klipschorn dimostra che un design straordinario non teme il passare del tempo. Grazie a una sensibilità estremamente elevata, questo diffusore a tre vie a tromba con piegatura tri-drica della tromba dei bassi utilizza le pareti e gli angoli della stanza di ascolto come parte del design. L'unione di queste caratteristiche permette di abbracciare più di nove ottave con un suono dinamico, dolce e con distorsione estremamente bassa.

LA SCALA II

Il modello La Scala è stato concepito come una versione più portatile del Klipschorn da utilizzare come impianto sonoro nella campagna elettorale di Winthrop Rockefeller per il governatore nel 1963. In maniera analoga al Klipschorn, vanta un'elevata sensibilità ed è un diffusore a tre vie a tromba che include una tromba più piccola con due piegature che può essere posizionata lontano dagli angoli della stanza. L'unico compromesso nel modello La Scala rispetto al Klipschorn è una frequenza di taglio dei bassi leggermente più alta.

CORNWALL III

Il modello Cornwall è stato lanciato nel 1959 come alternativa full range di dimensioni maggiori al modello Heresy per il canale centrale in configurazione di tre diffusori stereo in fila. Offre la risposta dinamica full range dei bassi del modello Klipschorn con sensibilità e livelli di uscita simili ai modelli a tromba. Come il modello Heresy, il Cornwall è un diffusore a tre vie che utilizza driver di compressione per caricamento a tromba per le frequenze midrange e gli acuti e un woofer a radiazione diretta da 38 cm per le basse frequenze.

HERESY III

Il modello Heresy è stato lanciato nel 1957 come un diffusore compatto per il canale centrale per il Klipschorn in configurazione di tre diffusori stereo in fila. Il modello Heresy è un diffusore a tre vie che utilizza driver di compressione per caricamento a tromba per la riproduzione delle frequenze midrange e degli acuti e un woofer a radiazione diretta da 30 cm per le basse frequenze.

DISIMBALLAGGIO E ASSEMBLAGGIO

Heresy III e Cornwall III

I diffusori Heresy III e Cornwall III sono di grandi dimensioni e pesanti. Per disassemblare e installare questi modelli sono necessarie due persone. Aprire i lembi superiori della scatola, ribaltarla e sollevarla, rimuovendola dal diffusore. Rimuovere l'imballaggio interno e conservarlo per un eventuale uso futuro.

Klipschorn e La Scala II

Le casse per le alte e le basse frequenze per i modelli Klipschorn e La Scala II vengono spedite in due scatole separate. Questi diffusori sono di grandi dimensioni e pesanti. Per disimballare e installare sono necessarie due persone. Sulle coppie di casse per le alte e basse frequenze dei modelli Klipschorn e La Scala II sono affissi numeri di serie corrispon-

denti per garantire le prestazioni audio corrette. Durante l'installazione dei diffusori, verificare che i numeri di serie delle casse superiori e inferiori corrispondano.

Klipschorn

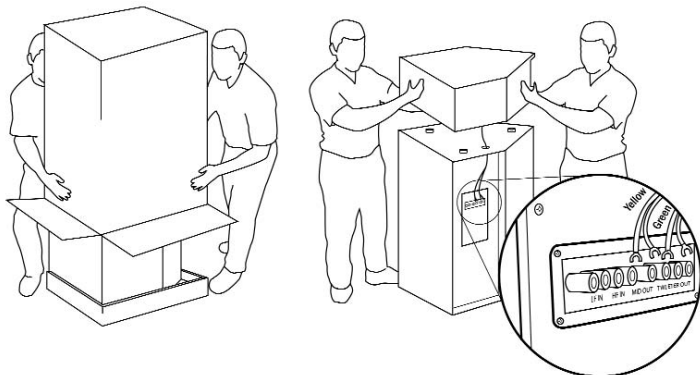
Aprire i lembi contrassegnati con la dicitura "Open This End" (Aprire questo lato) della scatola di dimensioni maggiori contenente il diffusore per le basse frequenze, ribaltarla e sollevarla, rimuovendola dalla cassa, e rimuovere l'imballaggio interno. Il lato superiore della cassa, identificabile mediante i tre distanziatori in gomma, va orientato verso l'alto (vedere la figura 1). Far scorrere la cassa per i bassi nell'angolo in cui verrà posizionata per effettuare una verifica e prendere nota di eventuali ostruzioni che potrebbero impedirne il posizionamento corretto. Rimuoverla dall'angolo per installare la cassa per le alte frequenze. Per preparare il collegamento, posizionare il diffusore vicino all'angolo (ma non nell'angolo) e rimuovere la mascherina per le basse frequenze (fissata con due dadi a farfalla) sul lato del pannello di ingresso della cassa e tenerla da parte fino al completamento della procedura di collegamento.

Aprire i lembi della scatola più piccola contrassegnati con la dicitura "Open This End" (Aprire questo lato) e rimuovere l'imballaggio. Sollevare la cassa per le alte frequenze estraendola dall'involucro e collocarla sopra la cassa per le basse frequenze. Allineare i tre piedini di gomma sul lato superiore della cassa per le basse frequenze con le tre trancette sul lato inferiore della cassa per le alte frequenze. Far passare i cavi del driver per le alte e medie frequenze nella cassa superiore attraverso il foro nel pannello inferiore della cassa. Collegare la coppia di cavi marcati in verde (+) alla coppia di perni di collegamento contrassegnati con l'indicazione "Tweeter Out". Verificare che i perni di collegamento rosso (+) e nero (-) corrispondano ai cavi con isolante verde (+) e nero (-). Seguire la stessa procedura per collegare la coppia di cavi marcati in giallo alla coppia di perni di collegamento contrassegnati con l'indicazione "Mid Out" (vedere figura 5).

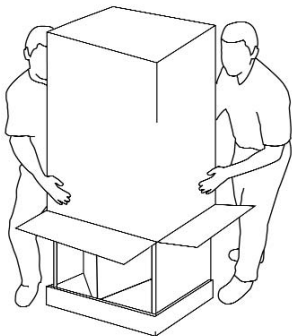
La Scala II

Aprire i lembi contrassegnati con la dicitura "Open This End" (Aprire questo lato) della scatola di dimensioni maggiori contenente il diffusore per le basse frequenze, ribaltarla e sollevarla,

1



2



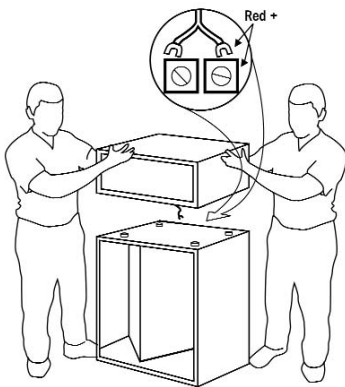
rimuovendola dalla cassa, e rimuovere l'imballaggio interno. Il lato superiore della cassa, identificabile mediante i tre distanziatori in gomma, deve essere orientato verso l'alto (vedere la figura 2).

Per la cassa per le alte frequenze La Scala II, aprire i lembi della scatola più piccola contrassegnati con la dicitura "Open This End" (Aprire questo lato) e rimuovere l'imbottitura d'imballaggio interna. Il lato inferiore della cassa dovrebbe essere orientato verso l'alto e il cavo per il collegamento delle basse frequenze dovrebbe essere collegato ad esso. Liberare questo cavo, capovolgere la scatola e rimuoverla dalla cassa. Con l'aiuto di un'altra persona, sollevare la cassa per le alte frequenze dal pavimento e posizionarla sopra la cassa per le basse frequenze, instradando il cavo per le basse frequenze verso il retro attraverso l'interstizio tra le due casse. Allineare le rientranze presenti nella superficie inferiore della cassa per le alte frequenze con i piedini in gomma sul lato superiore della cassa per le basse frequenze. Collegare il cavo per le basse frequenze alla striscia di collegamento a due viti sul retro della cassa per le basse frequenze. Verificare che la polarità utilizzata sia corretta collegando il filo marcato in rosso al terminale marcato in rosso e il filo marcato in nero all'altro terminale.

POSIZIONAMENTO

I diffusori Klipsch Heritage funzionano perfettamente in molte posizioni, ma seguendo alcune semplici indicazioni sarà possibile ottimizzarne le prestazioni.

- Tutti: posizionarli lungo la stessa parete a una distanza l'uno dall'altro, compresa tra 180 e 460 cm.
- La Scala, Cornwall, Heresy: posizionarli in modo che siano equidistanti dalla parete dietro ai diffusori.
- Heresy: alla stessa altezza dal pavimento con i driver per le alte frequenze nella posizione di ascolto seduta se montati su parete o scaffale.
- Tutti: orientare i diffusori verso la posizione di ascolto e posizionarli accanto o davanti a eventuali ostruzioni.
- La Scala, Cornwall, Heresy: per ottenere il massimo livello dei bassi si consiglia di posizionare i diffusori negli angoli o contro la parete. Se vengono posizionati lontano dalle pareti, l'energia dei bassi sarà inferiore.
- Tutti: nel caso in cui la forma della stanza comporti una mancanza di uniformità dei bassi, si consiglia di posizionare una coppia di diffusori in configurazione asimmetrica su pareti laterali adiacenti.
- Utilizzare le istruzioni precedenti per adattare il sistema secondo i propri gusti e ottimizzare il suono in base alle caratteristiche acustiche della stanza.



Klipschorn

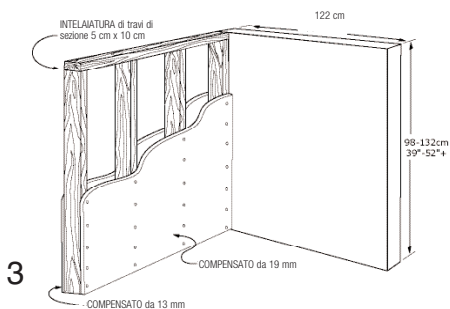
Normalmente le prestazioni dei diffusori Klipschorn sono ottimizzate posizionandoli negli angoli lungo la parete più lunga di una stanza rettangolare. Se la stanza è stretta e lunga con angoli a distanza maggiore di 550 o 600 cm, l'immagine stereo potrebbe non essere ottimale. È preferibile una stanza con un rapporto lunghezza/larghezza tra 1,00 e 0,618. Inoltre, i diffusori Klipschorn forniscono prestazioni migliori in stanze di altezza inferiore a 260 cm. È necessario posizionare i Klipschorn agli angoli, poiché le pareti della stanza sono parte della tromba per le basse frequenze del diffusore. Per ottenere la massima estensione in frequenza, il Klipschorn deve essere posizionato a battuta in un angolo che non abbia battiscopa o modanatura e che abbia pareti libere per almeno 63,5 cm davanti alle mascherine laterali.

Falsi angoli

Se la stanza non ha angoli adeguati disponibili, si possono costruire falsi angoli che permettano di ottenere prestazioni simili a quelli di un vero angolo per le basse frequenze permettendo inoltre di orientare le casse leggermente verso il centro della stanza, se si desidera. Iniziare costruendo un'intelaiatura da travi in legno di sezione di 5 cm x 10 cm come mostrato nella figura 3. Klipsch consiglia di utilizzare lastre di compensato di 19 mm di spessore e 120 cm di larghezza incollate e inchiodate saldamente all'intelaiatura. Il retro può essere ricoperto con un materiale più sottile, come ad esempio masonite da 3 mm di spessore o compensato da 13 mm di spessore. Verniciare con un colore corrispondente a quello della parete oppure rivestire con laminato plastico o altro materiale (vedere la figura 3). In caso di distanze molto grandi, utilizzare un falso angolo con uno dei Klipschorn per ridurre la distanza tra i diffusori. Un'altra soluzione al problema della distanza eccessiva tra i diffusori Klipschorn in un sistema audio è l'aggiunta di un diffusore centrale (come ad esempio il modello La Scala) per creare una fila di tre diffusori stereo. Per informazioni sul collegamento, contattare l'assistenza tecnica Klipsch al numero 1-800-554-7724.

La Scala II

Il modello La Scala II include una tromba dei bassi indipendente con piegatura front-firing e può essere posizionato lontano dall'angolo, se si desidera. Però, poiché questo modello ha un'estensione dei bassi minore del Klipschorn, il rafforzamento acustico delle basse frequenze che si ottiene con un posizionamento negli angoli potrebbe essere ottimale. Il modello La Scala offre inoltre una notevole flessibilità relativamente all'angolazione per ottenere l'immagine stereo desiderata. Le



prestazioni nei bassi profondi possono essere migliorate utilizzando un subwoofer Klipsch ad elevate prestazioni.

Cornwall III

Il modello Cornwall III permette un posizionamento e un'angolazione flessibili come il modello La Scala, con un'estensione dei bassi simile a quella del modello Klipschorn a livelli di uscita ridotti. Come nel caso del modello La Scala e dell'Hersey, posizionando i diffusori negli angoli si massimizzano i bassi e posizionandoli fuori dagli angoli o lontano dalle pareti si ottengono livelli di bassi inferiori. Poiché l'acustica della stanza e il gusto personale variano, si consiglia di provare diverse posizioni per regolare le prestazioni del diffusore. Sono inclusi dei gommini autoadesivi da fissare sul lato inferiore del rialzo per un eventuale posizionamento su pavimenti senza moquette.

Hersey III

L'Hersey III è il modello più versatile nella collezione Heritage per quanto riguarda il posizionamento, grazie alle dimensioni relativamente ridotte. Fornisce la stessa gamma di frequenze di base del modello La Scala ma a livelli di uscita minori. Il posizionamento sul pavimento nell'angolo permette di ottenere il massimo rafforzamento dei bassi profondi e la base con rialzo angolato permette di compensare per l'altezza ridotta dell'Hersey. Il rialzo può essere rimosso se l'unità viene posizionata su uno scaffale o una libreria. Sono inclusi dei gommini autoadesivi da fissare sul lato inferiore della cassa per evitare di graffiare la superficie su cui è appoggiata.

COLLEGAMENTO DEL DIFFUSORE

Attenzione: prima di effettuare qualsiasi collegamento, spegnere l'amplificatore. (vedere la figura 4).

- I diffusori sono dotati di terminali di collegamento positivo (rosso) e negativo (nero) sul lato o sul retro della cassa, che corrispondono ai terminali positivo e negativo per il canale corrispondente (destra, sinistra, ecc.) dell'amplificatore e possono essere collegati con filo nudo oppure con connettori a forcella o a banana (vedere figura 4).
- Tutti i diffusori del sistema devono essere collegati in fase con il terminale positivo collegato al terminale positivo corrispondente dell'amplificatore. Ripetere questa procedura per i terminali negativi dei diffusori e dell'amplificatore. La maggior parte dei cavi per diffusori presentano delle marcature sul materiale isolante per semplificarne il corretto collegamento.
- Utilizzare cavi di rame di spessore minimo di 16 AWG a due conduttori e cavi di spessore maggiore in caso di distanze di collegamento maggiori. I terminali di collegamento del

diffusore possono essere collegati con filo nudo oppure con connettori a forcella o a banana.

- **Attenzione:** qualunque sia il tipo di collegamento, verificare che non si abbia alcun contatto tra i terminali positivo e negativo del diffusore o dell'amplificatore. Ciò potrebbe causare danni al dispositivo. (vedere la figura 4).

Klipschorn: i connettori sono nel pannello d'ingresso sul lato della cassa per le basse frequenze. Due delle quattro coppie di perni di collegamento vengono usati per collegare i cavi del diffusore provenienti dall'amplificatore. Sono contrassegnati con le indicazioni "HF IN" + e - (ingresso alte frequenze) o "LF IN" + e - (ingresso basse frequenze). I perni rossi (+) sono collegati tra loro con ponticelli e così anche i perni neri (-). Lasciare i ponticelli al loro posto per il collegamento normale a cavo singolo e utilizzare solo una delle coppie di connettori. Rimuovere i ponticelli per la cablatura bi-wire opzionale (vedere figura 5). Reinstallare la mascherina laterale rimossa in precedenza, dopo aver completato tutti i collegamenti. Instradare il cavo del diffusore attraverso la tacca nell'angolo posteriore in basso nella mascherina quando si sposta il diffusore nell'angolo. Se il cavo del diffusore proviene dal lato opposto rispetto al pannello d'ingresso, instradarlo attraverso la tacca in tale mascherina e quindi davanti al pannello posteriore e nel pannello d'ingresso.

Non collegare direttamente l'amplificatore ai cavi dei driver midrange o tweeter o ai perni di collegamento contrassegnati con "Mid Out" o "HF Out" in quanto ciò potrebbe danneggiare il diffusore.


La Scala II: le due coppie di perni di collegamento sul retro del diffusore sono utilizzate per collegare i cavi provenienti dall'amplificatore. Sono contrassegnati con le indicazioni "HF IN" (ingresso alte frequenze) + e -, e "LF IN" (ingresso basse frequenze) + e -. I perni rossi (+) e neri (-) sono collegati con ponticelli. Lasciare i ponticelli al loro posto per il collegamento normale a cavo singolo e utilizzare solo una delle coppie di connettori. Rimuovere i ponticelli per la cablatura bi-wire (vedere la figura 5).

Cornwall III e Hersey III: le due coppie di perni di collegamento sul retro del diffusore sono utilizzate per collegare i cavi provenienti dall'amplificatore. Questi perni di collegamento sono contrassegnati con le indicazioni "HF+", "HF-", "LF+" e "LF-". I perni rossi (+) e neri (-) sono collegati con fascette metalliche. Lasciare le fascette al loro posto per il collegamento normale a cavo singolo e utilizzare solo una delle coppie di connettori. Rimuovere le fascette in caso di collegamento bi-wire (vedere figura 4).

GARANZIA APPLICABILE AL DI FUORI DI STATI UNITI E CANADA

Se questo prodotto viene venduto fuori degli Stati Uniti o del Canada, è coperto da una garanzia conforme alle leggi locali e la validità di tale garanzia è di esclusiva responsabilità del distributore del prodotto stesso. Per richiedere un intervento in garanzia rivolgersi al rivenditore o al distributore.

INSTRUÇÕES DE SEGURANÇA IMPORTANTES

1. LEIA estas instruções.
2. GUARDE estas instruções.
3. FIQUE ATENTO a todos os avisos.
4. SIGA todas as instruções.
5. NÃO use este aparelho perto de água.
6. LIMPE APENAS com um pano seco.
7. NÃO bloqueie nenhuma abertura de ventilação. Instale de acordo com as instruções do fabricante.
8. NÃO instale próximo de quaisquer fontes de calor, tais como radiadores, saídas de ar quente, fogões ou outros aparelhos (incluindo amplificadores) que produzam calor.
9. USE APENAS acessórios especificados pelo fabricante.
10. USE apenas com o carrinho, pedestal, tripé, suporte ou mesa especificado pelo fabricante ou vendido com o aparelho. Ao usar um carrinho, tome cuidado ao movê-lo com o aparelho para evitar se ferir caso caia. 
11. TODA a manutenção deve ser realizada por pessoal de manutenção qualificado. É necessário prestar assistência técnica ao aparelho quando tiver sofrido danos de qualquer tipo, tais como danos ao cabo de alimentação ou ao plugue, derramamento de líquido ou queda de objetos dentro do aparelho, exposição do aparelho à chuva ou umidade, mal funcionamento ou queda do aparelho.



Este símbolo indica que o material impresso que acompanha esta unidade contém instruções de operação e manutenção importantes.

ATENÇÃO: Para reduzir o risco de incêndio ou choque elétrico, não exponha este aparelho à chuva ou à umidade.

ATENÇÃO: Não há peças internas que possam ser reparadas pelo usuário. Toda a manutenção deve ser realizada por pessoal de manutenção qualificado.

INSPEÇÃO

Queremos que seu novo sistema de caixas acústicas mantenha a aparência que tinha ao sair da fábrica! Por isso, inspecione-o imediatamente para verificar se sofreu algum tipo de dano durante o transporte. Desembale com cuidado seu novo sistema de caixas acústicas e verifique se todos os componentes descritos na lista estão presentes. Em circunstâncias extremas, alguns componentes podem sofrer danos durante o transporte. Se identificar qualquer dano, avise a transportadora e o revendedor onde o sistema foi adquirido. Faça um pedido de inspeção e siga as instruções recebidas para avaliar os danos. Não descarte a caixa original utilizada para transportar o produto.

SOBRE SUA AQUISIÇÃO DE UM PRODUTO DA KLIPSCH

Agradecemos sua aquisição das caixas acústicas Heritage da Klipsch. Após ler este manual e conectar o sistema, você ouvirá o resultado de mais de 60 anos de engenharia de ponta precisa e pesquisa e desenvolvimento líder no setor. Como todos os produtos da Klipsch, estas caixas acústicas foram fabricadas com a tecnologia com corneta da Klipsch: o projeto utilizado como base fundamental do primeiro produto Klipschorn® desenvolvido em 1946 e de todos os outros produtos Klipsch lançados posteriormente. A inclusão da corneta

permite que as caixas acústicas tenham alta sensibilidade, alta amplitude dinâmica, baixa distorção, dispersão controlada e resposta de frequência estável. Isto resulta em potência, nitidez e dinâmica inigualáveis: as características que distinguem o "Som da Klipsch". Não deixe de preencher o cartão de garantia no verso deste manual ou on-line no site www.klipsch.com para que possamos atendê-lo melhor. Mais uma vez, obrigado por escolher a Klipsch. Esperamos que as suas caixas acústicas tragam vida às suas músicas e filmes por muitos anos.

PAUL W. KLIPSCH

As caixas acústicas Heritage da Klipsch são o resultado direto da genialidade de Paul W. Klipsch em termos de projeto de engenharia. A tecnologia incorporada nestas caixas acústicas é tão relevante hoje quanto em 1946, quando Paul fundou a Klipsch and Associates com o lançamento da Klipschorn®. O fundador de nossa empresa foi louvado como um pioneiro e visionário no setor de áudio. Paul teve uma carreira notável, cujo auge foi sua nomeação para o Engineering and Science Hall of Fame em 1997. Esta honra o coloca na distinta companhia de pessoas como Thomas Edison, George Washington Carver e os irmãos Wright, entre outros. A vida de Paul foi repleta de distinções notáveis, incluindo a consagração, em 1994, do Departamento de Engenharia Elétrica e Informática Klipsch na Universidade Estadual do Novo México, a alma mater de Paul. Em 1978, Paul recebeu a prestigiosa medalha de prata da Audio Engineering Society of America, sendo também nomeado para o Audio Hall of Fame.

Estas são apenas algumas das realizações de um formidável engenheiro acústico e uma pessoa ainda mais extraordinária. Esta foi a definição que a revista Hi-Fidelity publicou de Paul: "uma pessoa que busca constantemente chegar aos limites e, quando os alcança, não tarda a superá-los". A edição de novembro de 1986 da revista Audio apresentou uma descrição sucinta de Paul W. Klipsch e sua influência no setor: "a caixa acústica Klipschorn, e seu criador, Paul Klipsch, são verdadeiras lendas no setor de som de alta fidelidade. Nada que eu possa escrever faria justiça plena à sua descrição".

KLIPSCHORN

A meta de projeto de Paul Klipsch era reproduzir o dinamismo e a empolgação de uma apresentação de orquestra sinfônica em sua sala de estar. Algo inédito em termos de engenharia quando foi lançada, a caixa acústica Klipschorn® continua sendo a mais consagrada mundialmente, e a única com fabricação ininterrupta há mais de 60 anos. A Klipschorn é testemunho a um design que resiste à prova do tempo. Com sensibilidade extremamente alta, seu alto-falante tridirecional com corneta de graves em triédro utiliza as paredes e os cantos do ambiente de audição como parte de seu projeto. Esta combinação de atributos permite que tenha um alcance de mais de nove oitavas plenas com som dinâmico, suave e com distorção ultra baixa.

LA SCALA II

A La Scala foi desenvolvida como uma Klipschorn mais portátil para ser utilizada como caixa acústica para discursos públicos durante a campanha para governador de Winthrop Rockefeller, em 1963. Assim como a Klipschorn, apresenta sensibilidade extremamente elevada, sendo uma caixa acústica tridirecional

com uma corneta curta para graves que pode funcionar sem que haja necessidade de cantos no ambiente de audição. Como resultado, a La Scala só deixa a desejar um pouco em relação à Klipschorn por proporcionar um limite menor em termos de graves altos.

CORNWALL III

A Cornwall foi lançada em 1959 como uma alternativa de alcance pleno à Heresy, como uma caixa acústica de canal central em um arranjo estéreo de três caixas acústicas. Produz a gama completa de resposta de graves da Klipschorn, com sensibilidade e reprodução próximas dos modelos com cornetas. Como a Heresy, a Cornwall tem um design tridirecional que usa drivers de compressão com corneta para sons de nível médio e frequências agudas e um woofer de radiação direta de 15 polegadas para as baixas frequências.

HERESY III

Lançada em 1957, a Heresy começou sua história como uma caixa acústica compacta de canal central para a Klipschorn, em arranjos estéreo com três caixas acústicas. A Heresy tem um design compacto tridirecional que usa drivers de compressão com corneta para sons de nível médio e reprodução de agudos e um woofer de radiação direta de 12 polegadas para as baixas frequências.

DESEMBALAGEM E MONTAGEM

Heresy III e Cornwall III

Os modelos Heresy III e Cornwall III são caixas acústicas grandes e pesadas. Recomendamos que esse modelos sejam desembalados e instalados por duas pessoas. Abra os painéis da caixa de papelão, vire a caixa de papelão de ponta-cabeça e puxe-a para cima, retirando-a da caixa acústica. Remova o material de embalagem interno e guarde-o para uso futuro.

Klipschorn e La Scala II

As caixas de baixa e alta frequência da Klipschorn e da La Scala II são despachadas em duas embalagens separadas. São caixas acústicas grandes e pesadas. Serão necessárias duas pessoas para desembalagem e instalação.

As caixas de baixa e alta frequência da Klipschorn e da La Scala II têm o mesmo número de série para que tenham o melhor desempenho acústico possível. Ao montar essas caixas acústicas, os números de série da parte superior e inferior devem coincidir.

Klipschorn

Abra os painéis da caixa de papelão maior da unidade de baixa frequência (marcados "Open This End" – Abrir esta extremidade), vire a caixa de papelão de ponta-cabeça, levante-a da caixa acústica e retire o material de embalagem interno. A parte superior da caixa, com os três espaçadores de borracha, deve estar voltada para cima (ver a figura 1). Deslize a caixa de graves para o canto onde será posicionada para confirmar se cabe e observe se há alguma obstrução que interfere com um encaixe justo. Retire a caixa do canto para instalar a caixa de alta frequência. Para preparar-se para a conexão, posicione a caixa acústica próxima do canto (mas não encostada nele) e retire a grade de baixa frequência (duas porcas borboleta) no lado da caixa voltado ao painel de entrada e coloque-a de lado até concluir o processo de conexão.

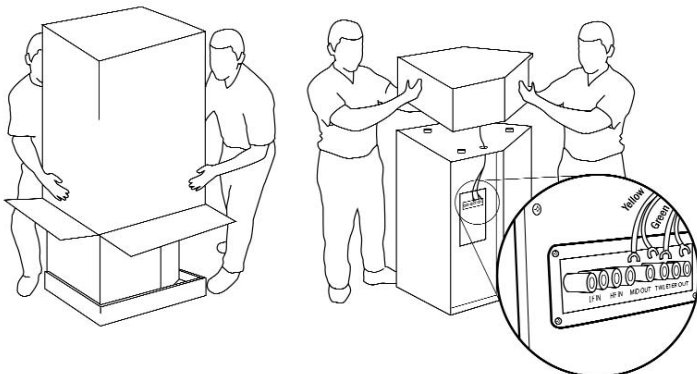
Abra os painéis superiores da caixa de papelão menor da unidade de alta frequência (marcados "Open This End" – Abrir esta extremidade) e retire o material de embalagem. Retire a caixa de alta frequência da embalagem e coloque-a em cima da caixa de baixa frequência. Alinhe as três reentrâncias situadas na superfície inferior da caixa de alta frequência com os três batentes de borracha situados na parte superior da caixa de baixa frequência. Passe os terminais de conexão dos alto-falantes de alta e média frequência da caixa superior através do orifício no painel inferior da caixa. Conecte o par de cabos verdes marcados com o sinal (+) aos terminais de conexão marcados "Tweeter Out". Os terminais de conexão vermelho (+) e preto (-) devem ser conectados às luvas verde (+) e preta (-) nas extremidades dos cabos. Siga o mesmo procedimento para conectar o par de cabos amarelos ao par de terminais de conexão marcados "Mid Out". (Ver a figura 5).

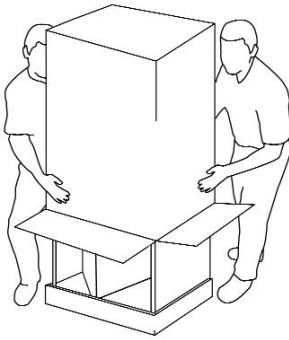
La Scala II

Abra os painéis da caixa de papelão maior da unidade de baixa frequência (marcados "Open This End" – Abrir esta extremidade). Vire a caixa de papelão de ponta-cabeça, levante-a da caixa acústica e retire o material de embalagem interno. A parte superior da caixa, com os três espaçadores de borracha, deve estar voltada para cima (ver a figura 2).

No caso da caixa de alta frequência La Scala II, abra os painéis superiores da caixa de papelão menor (marcados

1



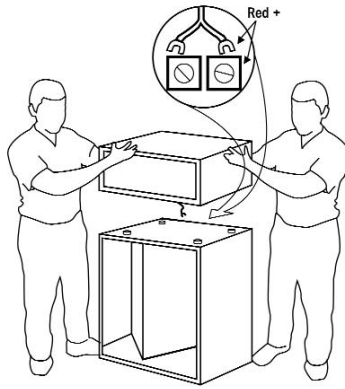


“Open This End” - Abrir esta extremidade) e retire o material de embalagem. A parte inferior da caixa de alta frequência deve estar voltada para cima, com o cabo de conexão de baixa frequência conectado a ela. Solte este cabo, vire a caixa de papelão de ponta-cabeça e puxe-a para cima, retirando-a da caixa acústica. Com ajuda, levante a caixa de alta frequência do piso e coloque-a sobre a caixa de baixa frequência, passando o cabo de baixa frequência através do espaço entre as caixas, voltado para a direção traseira. Alinhe as reentrâncias situadas na superfície inferior da caixa de alta frequência com os batentes de borracha situados na parte superior da caixa de baixa frequência. Conecte o cabo de baixa frequência aos terminais de parafuso situados atrás da caixa de baixa frequência. Certifique-se de que a polaridade esteja correta conectando o cabo com o indicador vermelho ao terminal com a marca vermelha e o cabo com o indicador preto ao outro terminal.

POSICIONAMENTO

As caixas acústicas Klipsch Heritage apresentarão bom desempenho em diversas posições, mas para obter os melhores resultados possíveis, siga as recomendações gerais descritas a seguir:

- Todos os modelos: coloque-as em uma mesma parede com uma distância de 1,8 a 4,6 m entre as caixas.
- La Scala, Cornwall, Heresy: posicione-as equidistantes da parede situada atrás das unidades.
- Heresy: altura equidistante acima do piso, com os alto-falantes de alta frequência na altura do ouvido do ouvinte quando sentado, caso montada na parede ou armário.
- Todos os modelos: coloque as caixas acústicas em um ângulo, voltadas para o ouvinte, e ao lado ou à frente de qualquer obstrução adjacente.
- La Scala, Cornwall, Heresy: quando colocadas próximas de um canto ou parede, produzirão maior intensidade de graves; quando distanciadas das paredes, o resultado será inverso.
- Todos os modelos: posicionar assimetricamente duas caixas acústicas em relação às paredes laterais adjacentes pode reduzir o desequilíbrio de graves causados pelo ambiente.
- Faça algumas experiências baseando-se nas recomendações descritas acima a fim de identificar o melhor layout de acordo com sua preferência e para compensar as características acústicas do ambiente.



Klipschorn

As caixas acústicas Klipschorn geralmente têm melhor desempenho quando posicionadas nos cantos de uma parede longa de um ambiente retangular. Se o ambiente for muito estreito e longo, com cantos a mais de 5,5 m / 6,0 m de distância, a reprodução estéreo pode não ser otimizada. É preferível instalá-las em um ambiente com proporção de 1,00 de comprimento para 0,618 de largura. Além disso, as caixas acústicas Klipschorn parecem produzir melhor som em ambientes com teto com altura mínima de 2,6 m. A Klipschorn deve ser instalada no canto, pois as paredes do ambiente complementam a corneta de baixa frequência da caixa acústica. Para obter o máximo alcance de baixa frequência, a Klipschorn deve se encaixar bem no canto, sem interferência de rodapés ou outros acabamentos, e as superfícies das paredes devem se estender no mínimo 64 cm além das grades laterais.

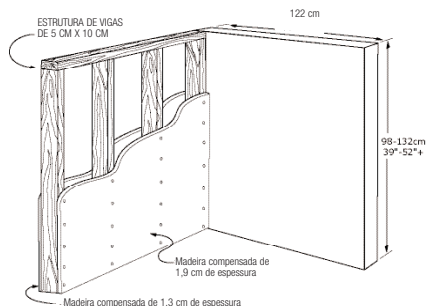
Cantos falsos

Se não existirem cantos apropriados no ambiente de audição, cantos falsos podem ser construídos para proporcionar desempenho de graves semelhante a um canto normal e permitir um certo nível de ajuste de convergência, se necessário. Comece com uma estrutura de vigas de 5 cm x 10 cm (2" x 4"), como ilustrado na figura 3. A Klipsch recomenda usar lâminas padrão de madeira compensada de 1,9 cm de espessura e 1,2 m de comprimento coladas e pregadas com firmeza na estrutura. A parte traseira pode ser revestida com um material menos espesso, como Masonite de 0,5 cm ou madeira compensada de 1,3 cm. Pinte a superfície para combinar com a cor das paredes, ou dê acabamento com laminação ou outro material. (Ver a figura 3). No caso de espaços muito amplos, um canto falso pode ser usado para uma das Klipschorns para reduzir a distância entre as caixas acústicas. Outra solução quando as caixas acústicas Klipschorn estão muito distantes em um sistema exclusivo de áudio, é adicionar uma caixa acústica central, como a La Scala, para criar um arranjo estéreo com três caixas acústicas. Para obter mais informações sobre a conexão, entre em contato com o suporte técnico da Klipsch pelo telefone 1-800-554-7724 ou com o distribuidor local da Klipsch para obter ajuda.

La Scala II

A La Scala II conta com uma corneta de graves frontal autônoma para permitir que a unidade seja posicionada fora de um canto, se necessário. Porém, uma vez que este modelo tem menos amplitude de graves que a Klipschorn, reforçar a reprodução acústica posicionando-a em um canto pode ser a

3



solução ideal. A La Scala também oferece flexibilidade total em relação à quantidade de ajuste de convergência possível para obter a reprodução estéreo desejada. Também é possível aumentar a reprodução de graves com um subwoofer Klipsch de alto desempenho.

Cornwall III

A Cornwall III oferece a flexibilidade de posicionamento e ajuste de convergência da La Scala com amplitude de baixa frequência semelhante à Klipschorn, com menos potência. Assim como na La Scala e na Heresy, posicioná-la em um canto permite a produção do maior volume de graves possível. O oposto ocorre quando posicionada fora do canto ou longe das paredes traseiras. Sabemos que a acústica dos ambientes e as preferências pessoais variam, portanto recomendamos que experimente várias posições para ajustar melhor o desempenho da caixa acústica. A unidade é fornecida com suportes de borracha auto-adesivos para fixação na parte inferior da unidade de elevação para uso em pisos duros.

Heresy III

Entre todos os modelos Heritage, a Heresy III oferece o maior nível de flexibilidade em termos de posicionamento devido ao seu tamanho relativamente compacto. Produz a mesma faixa de frequência básica que a La Scala, mas com níveis de potência menores. Para obter o mais alto grau de reforço nos graves, deve ser posicionada no chão, encostada no canto. A unidade de elevação ajuda a compensar a baixa altura da Heresy. Esta unidade de elevação pode ser removida para que a unidade seja instalada em uma prateleira ou armário. A unidade é fornecida com suportes de borracha auto-adesivos para fixação na parte inferior da caixa para evitar que risque prateleiras ou superfícies duras.

CONEXÃO DA CAIXA ACÚSTICA

Cuidado: Desligue o amplificador antes de fazer qualquer tipo de conexão! (Ver a figura 4).

- As caixas acústicas são equipadas com terminais de conexão positivos (vermelhos) e negativos (pretos), situados atrás ou nas laterais das caixas. Eles correspondem aos terminais positivo e negativo no canal apropriado (esquerdo, direito, etc.) do amplificador e aceitam cabos expostos, bornes de conexão ou plugues tipo banana (ver a figura 4).
- Todas as caixas acústicas em nosso sistema devem ser conectadas em fase, com o terminal positivo da caixa acústica conectado ao terminal positivo do amplificador. Repita este procedimento ao conectar os terminais negativos da caixa acústica e do amplificador. Na maioria dos cabos de caixas acústicas, o isolamento de um dos

condutores é claramente marcado para ajudar o usuário a fazer a conexão de modo correto.

- No mínimo, use um cabo de cobre de bitola 16 (AWG) com dois condutores. Para maiores distâncias, use um cabo de bitola mais elevada. Os terminais de conexão na caixa acústica aceitam fios expostos, bornes de conexão ou plugues tipo banana.
- Cuidado:** Independente do tipo de conexão, certifique-se de que não haja contato entre os terminais positivo e negativo na caixa acústica e no amplificador, pois isso pode causar danos ao equipamento! (Ver a figura 4).

Klipschorn: As conexões de entrada encontram-se no painel de entrada na lateral da caixa de baixa frequência. Dois dos quatro pares de conectores são utilizados para conectar os cabos da caixa acústica vindos do amplificador. Estão marcados "HF IN" + e - / "LF IN" + e -. Os terminais de conexão vermelho (+) e preto (-) estão conectados com jumpers. Deixe os jumpers no lugar para uma conexão convencional de um só cabo e use qualquer um dos pares de terminais de conexão. Retire os jumpers para uma conexão opcional com dois cabos. (Ver a figura 5). Depois de concluir todas as conexões, recoloca a grade lateral removida anteriormente. O cabo da caixa acústica deve passar através do entalhe no canto inferior traseiro da grade à medida que a caixa acústica for colocada no canto. Se o cabo da caixa acústica vier do lado oposto ao painel de entrada, passe-o através do entalhe daquela grade, depois em frente do painel traseiro, até chegar ao painel de entrada.

Não conecte o amplificador diretamente nos terminais do alto-falante de frequência média ou do tweeter nem aos terminais marcados "Mid Out" ou "HF Out", pois isso pode danificar a caixa acústica.


La Scala II: Os dois pares de conectores localizados na parte traseira da caixa acústica são utilizados para conectar os cabos da caixa acústica vindos do amplificador. Esses terminais de conexão estão marcados "HF IN" + e - / "LF IN" + e -." Os terminais de conexão vermelho (+) e preto (-) são conectados com jumpers. Deixe os jumpers no lugar para uma conexão convencional de um só cabo e use qualquer um dos pares de terminais de conexão. Retire os jumpers para fazer uma conexão com dois cabos. (Ver a figura 5).

Cornwall III e Heresy III: Os dois pares de conectores localizados na parte traseira da caixa acústica são utilizados para conectar os cabos da caixa acústica vindos do amplificador. Esses terminais de conexão estão marcados "HF+", "HF-", "LF+" e "LF-", e têm terminais vermelhos (+) e pretos (-) conectados com cintas metálicas. Deixe as cintas no lugar para uma conexão convencional de um só cabo e use qualquer um dos pares de terminais de conexão. Retire as cintas para fazer uma conexão com dois cabos (ver a figura 4).

GARANTIA FORA DOS ESTADOS UNIDOS E DO CANADÁ

A garantia deste produto, caso seja vendido a um consumidor fora dos Estados Unidos ou do Canadá, deve estar em conformidade com as leis aplicáveis e será de responsabilidade exclusiva do distribuidor que o forneceu. Para obter qualquer serviço coberto pela garantia, entre em contato com o revendedor do qual adquiriu este produto, ou com o distribuidor que o forneceu.

INSTRUCCIONES IMPORTANTES DE SEGURIDAD

1. LEA estas instrucciones.
2. GUARDE estas instrucciones.
3. RESPETE todas las advertencias.
4. SIGA todas las instrucciones.
5. NO use este aparato cerca del agua.
6. LÍMPIELO SOLAMENTE con un paño seco.
7. NO bloquee las aberturas de ventilación. Instale el aparato de acuerdo con las instrucciones del fabricante.
8. NO lo instale cerca de fuentes de calor, tales como radiadores, rejillas de piso, cocinas u otros aparatos (incluso amplificadores) que producen calor.
9. USE SÓLO los accesorios especificados por el fabricante.
10. PONGA el aparato solamente en el carrito, pedestal, trípode, soporte o mesa especificado por el fabricante o vendido con el aparato. Sea precavido cuando mueva el aparato en un carrito para evitar las lesiones que pueda producir un volcamiento. 
11. ENCARGUE todo servicio al personal de servicio calificado. Se requiere servicio cuando el aparato ha sido dañado de alguna manera, tal como cuando se ha dañado el enchufe o el cordón de alimentación, han caído líquidos u objetos dentro del aparato, o el aparato se ha dejado caer, ha dejado de funcionar normalmente o ha sido expuesto a la lluvia o a la humedad.



Este símbolo indica que hay información importante sobre operación y mantenimiento en los folletos que acompañan a esta unidad.

ADVERTENCIA: Para reducir el riesgo de incendio o descarga eléctrica, no exponga este aparato a la lluvia o a la humedad.

ADVERTENCIA: Dentro del dispositivo no hay piezas que el usuario pueda reparar. Encargue todo servicio al personal de servicio calificado.

INSPECCIÓN

Deseamos que su nuevo sistema de altavoces se vea tan bien como se veía cuando salió de la fábrica. Vea rápidamente si se han producido daños durante el transporte. Desempaque cuidadosamente su nuevo sistema de altavoces y vea si en el paquete vienen todos los componentes indicados en la lista de empaque. En circunstancias extremas, es posible que algunas piezas o componentes se hayan dañado en tránsito. Si descubre daños, notifique al servicio de entregas y al minorista donde compró el sistema. Solicite una inspección y siga las instrucciones de evaluación. Conserve la caja de cartón de transporte original del producto.

ACERCA DE SU COMPRA KLIPSCH

Gracias por la compra de altavoces Heritage de Klipsch. Después de leer este manual y conectar el sistema, usted oirá los resultados de más de 60 años de ingeniería rigurosa e investigación y desarrollo de vanguardia. Como todos los productos Klipsch, estos altavoces tienen tecnología de carga por trompeta Klipsch, que es el diseño base del primer Klipschorn® desarrollado en 1946 y de todos los productos que han venido después. La carga por trompeta permite a los altavoces tener alta sensibilidad, amplia gana dinámica, baja

distorsión, dispersión controlada y respuesta de frecuencia plana. Todo esto se traduce en la potencia, el detalle y la dinámica sin igual que son el sello distintivo del "Sonido Klipsch". Llene la tarjeta de garantía que se encuentra al final de este manual o en línea en www.klipsch.com para que podamos atenderle mejor. Nuevamente le agradecemos que haya escogido a Klipsch y esperamos que estos altavoces le den vida a su música y a sus películas durante muchos años.

PAUL W. KLIPSCH

Los altavoces Heritage de Klipsch son el resultado directo de la genialidad de diseño de Paul W. Klipsch. La tecnología incorporada en estos altavoces es tan válida hoy en día como lo era en 1946 cuando Paul fundó Klipsch and Associates con el lanzamiento del Klipschorn®. El fundador de nuestra compañía fue elogiado como pionero y visionario de la industria del audio. Paul tuvo una notoria carrera, cuyo pináculo fue su admisión al Salón de la Fama de la Ciencia y la Ingeniería en 1997. Este honor lo pone en la distinguida compañía de Tomás Edison, George Washington Carver y los hermanos Wright, entre otros. La vida de Paul estuvo llena de distinciones notables, tales como la inauguración en 1994 del Departamento de Ingeniería Eléctrica y Computación de la New Mexico State University, que es la universidad de la cual egresó Paul. En 1978, Paul ganó la prestigiosa medalla de plata de la Sociedad de Ingeniería de Audio de América y también fue admitido al Salón de la Fama del Audio.

Estos son sólo algunos de los logros de un ingeniero de audio de alta calidad y de un hombre de una calidad aún mayor. La revista HI-Fidelity dijo que Paul era "la imagen de una persona que avanza hacia las fronteras y las reestablece cuando llega". El número de noviembre de 1986 de la revista Audio resume a Paul W. Klipsch y a su influencia en la industria: "... el Klipschorn y su diseñador Paul Klipsch son verdaderas leyendas en el campo del sonido de alta fidelidad. Nada que yo pueda escribir podría describirlos en la verdadera medida que se merecen".

KLIPSCHORN

El objetivo de diseño de Paul Klipsch era reproducir la dinámica y la emoción de un concierto de orquesta sinfónica en vivo en su sala de estar. El Klipschorn®, cuya introducción fue un gran avance en el mundo del audio, sigue siendo uno de los altavoces más elogiados del mundo y es el único altavoz que ha sido producido continuamente durante más de 60 años. El Klipschorn es un testimonio de diseño que perdura. Con una sensibilidad extremadamente alta, este altavoz de tres canales totalmente cargado por trompeta tiene una trompeta de bajos triédrica plegada y utiliza las paredes y las esquinas de la sala de audición como parte de su diseño. Esta combinación de atributos le permite abarcar más de nueve octavas completas con sonido dinámico, uniforme y de distorsión ultra baja.

LA SCALA II

El altavoz La Scala fue desarrollado como un Klipschorn portátil para los sistemas de megafonía de la campaña gubernamental de 1963 de Winthrop Rockefeller. Tal como el Klipschorn, el La Scala es un altavoz de tres canales totalmente cargado por trompeta que tiene una sensibilidad extremadamente alta y una trompeta de bajos corta de pliegue doble que puede funcionar independientemente de las

esquinas de la sala de audición. Como resultado de esto, la única concesión sónica del La Scala al Klipschorn es un corte de bajos ligeramente más alto.

CORNWALL III

El Cornwall fue introducido en 1959 como altavoz grande de gama completa para usar en lugar del Heresy como altavoz de canal central en conjuntos estereofónicos de tres altavoces. El Cornwall da la misma respuesta de bajos de gama completa de frecuencias que el Klipschorn con una sensibilidad y una salida que se aproximan a las de los modelos totalmente cargados por trompeta. Tal como el Heresy, el Cornwall es un altavoz de 3 canales con excitadores de compresión cargados por trompeta para las frecuencias medias y altas y un woofer de 15 pulgadas con radiación directa para las frecuencias bajas.

HERESY III

El Heresy fue introducido en 1957 como altavoz compacto para el Klipschorn de canal central en conjuntos estereofónicos de tres altavoces. El Heresy es un altavoz compacto de 3 canales con excitadores de compresión cargados por trompeta para las frecuencias medias y altas y un woofer de 12 pulgadas con radiación directa para las frecuencias bajas.

DESEMPAQUE Y MONTAJE

Heresy III y Cornwall III

Los altavoces Heresy III y Cornwall III son grandes y pesados. Se recomienda que dos personas desempaquen e instalen estos altavoces. Abra las tapas de arriba de la caja de cartón, invierta la caja y júlela hacia arriba para separarla del altavoz. Quite el material de empaque interno y guárdelo para utilizarlo en el futuro.

Klipschorn y La Scala II

Las cajas de alta frecuencia y de baja frecuencia del Klipschorn y el La Scala II vienen en cajas de cartón separadas. Estos altavoces son grandes y pesados.

Desempaquetarlos e instalarlos requiere dos personas.

Las cajas de alta frecuencia y de baja frecuencia del Klipschorn y el La Scala II se corresponden mutuamente por números de serie para producir un rendimiento acústico apropiado. Haga coincidir el número de serie de la caja superior con el de la caja inferior cuando monte estos altavoces.

Klipschorn

Abra las tapas (que dicen "Abrir este lado" (Open This End)) de la caja de cartón grande, que contiene la caja de baja fre-

cuencia, invierta la caja de cartón, júlela hacia arriba para separarla de la caja de baja frecuencia y quite el material de empaquetado interno. La parte de arriba de la caja, con sus tres topes de goma, debe estar hacia arriba. (Vea la Figura 1). Deslice la caja de baja frecuencia hasta la esquina en que la va a poner a fin de probarla y tomar nota de las obstrucciones que puedan interferir con un ajuste apretado. Separe la caja de baja frecuencia de la esquina para montarla sobre la caja de alta frecuencia. Como preparación para la conexión, ponga el altavoz cerca de la esquina, sin encajarlo, quite la rejilla de baja frecuencia (dos tuercas de mariposa) del lado del panel de entrada de la caja y aparte la rejilla hasta terminar el proceso de conexión.

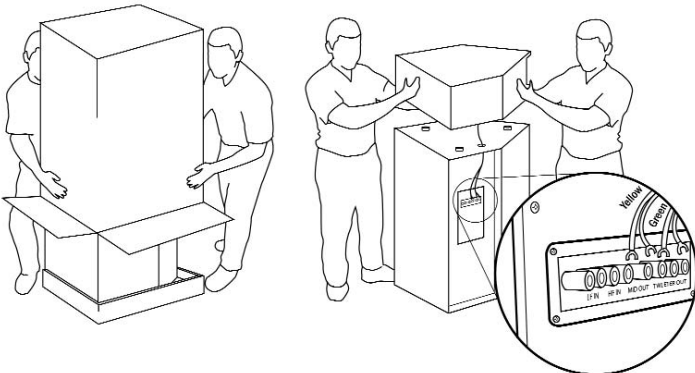
Abra las tapas de arriba (que dicen "Abrir este lado" (Open This End)) de la caja de cartón pequeña, que contiene la caja de alta frecuencia y retire el material de empaquetado. Levante la caja de alta frecuencia para sacarla de la caja de cartón y póngala sobre la caja de baja frecuencia. Alinee los tres topes de goma de la parte de arriba de la caja de baja frecuencia con los tres huecos de la parte de abajo de la caja de alta frecuencia. Encamine los conductores del excitador de frecuencias medias y altas de la caja de arriba a través del agujero en el panel de la caja de abajo. Conecte el par de cables con etiqueta verde (+) al par de terminales que dicen "Salida de tweeter" (Tweeter Out). Haga coincidir las terminales rojas (+) y negras (-) con las mangas verdes (+) y negras (-) en los extremos de estos cables. Siga este mismo procedimiento para conectar el par de cables con etiqueta amarilla al par de terminales que dicen "Salida de frecuencias medias" (Mid Out). (Vea la Figura 5.)

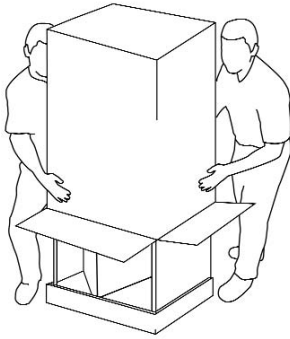
La Scala II

Abra las tapas (que dicen "Abrir este lado" (Open This End)) de la caja de cartón grande, que contiene la caja de baja frecuencia. Invierta la caja de cartón, júlela para separarla de la caja de baja frecuencia y quite el material de empaque interno. La parte de arriba de la caja, con sus tres topes de goma, debe estar hacia arriba. (Vea la Figura 2).

Para la caja de alta frecuencia del La Scala II, abra las tapas de arriba de la caja de cartón pequeña, que dicen "Abrir este lado" (Open This End), y quite la almohadilla de empaquetado interno. La parte de abajo de la caja debe estar hacia arriba y debe tener adherido el cable de conexión de bajas frecuencias. Libere este cable, invierta la caja de cartón y júlela para

1





separarla de la caja de alta frecuencia. Con ayuda, levante del piso la caja de alta frecuencia y póngala cuidadosamente sobre la caja de baja frecuencia de manera que el cable de bajas frecuencias quede hacia atrás y salga por la separación entre las cajas. Alinee los huecos de la superficie inferior de la caja de alta frecuencia con los topes de goma de la superficie superior de la caja de baja frecuencia. Conecte el cable de baja frecuencia a la regleta de barrera de dos tornillos ubicada en la parte de atrás de la caja de baja frecuencia. Mantenga la polaridad correcta conectando el cable con el indicador rojo a la terminal con la marca roja y el cable con el indicador negro a la otra terminal.

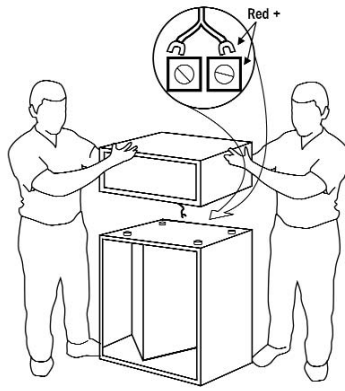
UBICACIÓN

Los altavoces Heritage de Klipsch se desempeñan bien en una variedad de ubicaciones, pero los mejores resultados se logran siguiendo las siguientes pautas generales:

- Todos: ponga los altavoces delante de una misma pared de 6 a 15 pies de distancia uno de otro.
- La Scala, Cornwall, Heresy: póngalos a la misma distancia de la pared ubicada detrás.
- Heresy: a la misma altura sobre el piso con los excitadores de frecuencias altas a la altura del oído del oyente sentado si se montan en la pared o en el armario.
- Todos: oriente los altavoces hacia el oyente y póngalos a la altura o más adelante de las obstrucciones adyacentes.
- La Scala, Cornwall, Heresy: poner los altavoces cerca de una esquina o una pared produce más bajos; alejarlos de las superficies que limitan la sala reduce la energía de los bajos.
- Todos: la colocación asimétrica de un par de altavoces con respecto a las paredes laterales adyacentes ^{122 cm} aproximadamente 48 pulgadas ^{122 cm} /relax l a altura o más adelante de las obstrucciones adyacentes.
- Experimente con las pautas especificadas arriba para adaptar la configuración a su gusto y a las características acústicas de la sala.

Klipschorn

Los altavoces Klipschorn por lo general funcionan bien cuando se ponen en las esquinas de la pared larga de una sala rectangular. Si la sala es muy larga y angosta y las esquinas están a más de 18 a 20 pies de distancia, es posible que la imagen estereofónica no sea óptima. Son preferibles las salas con proporción de longitud a anchura de 1.00 a 0.618. Además, los altavoces Klipschorn parecen beneficiarse de ciertos rasos que tengan no menos de 8.5 pies de altura. El Klipschorn requiere colocación en esquina porque las paredes



de la sala sirven para completar la trompeta de baja frecuencia del altavoz. Para lograr la extensión total de baja frecuencia, los Klipschorn deben ajustarse apretadamente contra las paredes en la esquina sin la interferencia de un rodapié o una guarnición, y las superficies de las paredes deben extenderse por lo menos 25 pulgadas a partir de los lados de la rejilla.

Esquinas falsas

Si no hay esquinas apropiadas en la sala de audición, se pueden construir esquinas falsas para producir bajos similares a los que produciría una esquina normal y también permitir ciertos ajustes de convergencia, si se desea. Comience con un marco de listones de madera de 2 pies x 4 pies, como se muestra en la Figura 3. Klipsch recomienda utilizar planchas estándar de madera contraenchapada de 3/4 de plg. de grosor y 4 pies de ancho clavadas y pegadas firmemente con pegamento al marco. La parte de atrás puede cubrirse con un material más delgado, tal como masonita de 3/16 de plg. o madera contraenchapada de 1/2 plg. Pinte estas planchas del color de la pared o póngales un acabado laminado o de otro material. (Vea la Figura 3.) Si hay mucho espacio entre las esquinas, se puede poner una esquinota de 3/16 de plg. de Klipschorn para reducir la separación. Otra solución para el exceso de separación de los altavoces Klipschorn de un sistema de audio es agregar un altavoz central, tal como un La Scala, a fin de crear un conjunto estereofónico de 3 altavoces. Comuníquese con el Centro de apoyo técnico de Klipsch llamando al 1-800-554-7724 (en Estados Unidos) para que le den detalles sobre la conexión.

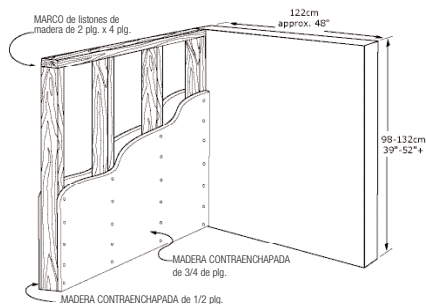
La Scala II

El La Scala II tiene una trompeta de bajos plegada incorporada de radiación frontal para no tener que ponerlo en una esquina. Sin embargo, como este modelo tiene menos extensión de bajos que el Klipschorn, el refuerzo acústico de bajas frecuencias que se produce al poner el altavoz en una esquina puede ser óptimo. El La Scala también ofrece flexibilidad completa con respecto a la medida de convergencia que se puede lograr para producir la imagen estereofónica deseada. El rendimiento de bajos profundos también puede aumentarse con un subwoofer Klipsch de alto rendimiento.

Cornwall III

El Cornwall III ofrece la flexibilidad de convergencia y ubicación del La Scala y una extensión de frecuencias bajas similar a la del Klipschorn con menos rendimiento. Tal como en el caso del La Scala y el Heresy, poner el altavoz en la esquina

3



produce más bajos que ponerlo lejos de la esquina o de las paredes de atrás. Como la acústica de la sala y el gusto personal varían, recomendamos experimentar con varias ubicaciones para hacer ajustes menores al rendimiento de los altavoces. Se incluyen almohadillas autoadhesivas de goma para poner en la parte de abajo del levantador cuando el altavoz se ponga sobre pisos duros.

Heresy III

El Heresy III ofrece el mayor grado de flexibilidad de ubicación de todos los modelos Heritage debido a que es relativamente compacto. Produce la misma gama de frecuencias básicas que el La Scala a niveles de salida más modestos. Ponerlo en la esquina en el piso produce el mayor refuerzo de bajos y la base levantadora inclinada contribuye a compensar su poca estatura. Este levantador puede quitarse para poner el altavoz en una estantería o en un armario. Las almohadillas autoadhesivas se incluyen para pegarlas en la parte de abajo de la caja del altavoz a fin de no rayar las repisas y las superficies duras.

CONEXIÓN DEL ALTAVOZ

Precaución. Apague el amplificador antes de hacer las conexiones. (Vea la Figura 4)

Σ Los altavoces tienen en la parte lateral o de atrás de la caja terminales de conexión positivas (rojas) y negativas (negras) que corresponden a la terminal negativa y a la terminal positiva de los canales correspondientes (izquierdo, derecho, etc.) del amplificador y aceptan cable desnudo, terminales de orejetas de pala o enchufes tipo banana. (Vea la Figura 4).

Σ Todos los altavoces de su sistema deben conectarse en fase: la terminal positiva del altavoz debe ir conectada a la terminal positiva del amplificador. Repita esto con las terminales negativas del altavoz y del amplificador. La mayoría de los cables de altavoz tienen marcas distintivas en el aislamiento de uno de los conductores para facilitar la conexión correcta.

Σ Utilice cable de cobre de dos conductores calibre 16 (AWG) como mínimo y mayor calibre para trayectos largos. Las terminales de conexión de su altavoz deben aceptar cable desnudo, terminales de orejetas de pala o enchufes tipo banana.

Σ Precaución. Con todos los tipos de conexión, asegúrese de que no haya contacto entre las terminales positiva y negativa del altavoz y el amplificador. No hacer esto podría dañar el equipo. (Vea la Figura 4.)

Klipschorn. Las conexiones se encuentran en el panel de entrada en el lado de la caja de baja frecuencia. Se usan dos de los cuatro pares de terminales para conectar los cables de altavoz que salen del amplificador. Dicen "Entrada de alta frecuencia" (HF IN) + y - y "Entrada de baja frecuencia" (LF IN)

+ y -. Las terminales roja (+) y negra (-) están interconectadas con puentes de cable. Deje estos puentes en posición si va a hacer una conexión convencional de un solo cable y utilice cualquiera de los dos pares de terminales. Quite estos puentes para la conexión de cableado doble opcional. (Vea la Figura 5.)

Después de hacer todas las conexiones, vuelva a poner la rejilla que quitó anteriormente. Encamine el cable de altavoz a través de la muesca en la esquina inferior posterior de la rejilla. Si el cable de altavoz sale del lado opuesto al panel de entrada, encamínelo a través de la muesca de la rejilla y luego por delante del panel esquinero hasta el panel de entrada

No conecte el amplificador directamente a los conductores del excitador de frecuencias medias o del tweeter o a las terminales que dicen "Salida de frecuencias medias" (Mid Out) o "Salida de altas frecuencias" (HF Out), pues puede dañar el altavoz.


La Scala II. Los dos pares de terminales ubicados en la parte de atrás del altavoz se usan para conectar los cables de altavoz que salen del amplificador. Estas terminales dicen "Entrada de alta frecuencia" (HF IN) + y - y "Entrada de baja frecuencia" (LF IN) + y -. Las terminales roja (+) y negra (-) están interconectadas con puentes de cable. Deje estos puentes en posición si va a hacer una conexión convencional de un solo cable y utilice cualquiera de los dos pares de terminales. Quite estos puentes para la conexión de cableado doble opcional. (Vea la Figura 5.)

Corwall III y Heresy III. Los dos pares de terminales ubicados en la parte de atrás del altavoz se usan para conectar los cables de altavoz que salen del amplificador. Estas terminales dicen "Alta frecuencia +" (HF+), "Alta frecuencia -" (HF-), "Baja frecuencia +" (LF+) y "Baja frecuencia -" (LF-) y tienen las terminales roja (+) y negra (-) conectadas con bandas de metal. Deje estas bandas en posición si va a hacer una conexión convencional de un solo cable y utilice cualquiera de los dos pares de terminales. Quite estas bandas para la conexión de cableado doble opcional. (Vea la Figura 4.)

GARANTÍA FUERA DE LOS ESTADOS UNIDOS Y CANADÁ

Si este producto se vende a un consumidor fuera de los Estados Unidos o Canadá, la garantía de este producto deberá cumplir con las leyes correspondientes y será responsabilidad exclusiva del distribuidor que lo suministró. Para obtener cualquier servicio de garantía aplicable, comuníquese con el minorista que le vendió este producto o con el distribuidor que se lo suministró.

重要安全說明

1. 閱讀本說明書。
2. 保管本說明書。
3. 留意一切警告。
4. 根據本說明書的全部內容使用。
5. 使用本裝置時切勿靠近水。
6. 只能使用乾布進行清潔。
7. 切勿堵塞任何通風口。根據廠家提供的說明進行安裝。
8. 安裝時切勿靠近任何熱源，包括散熱器、調溫器、爐子以及其他發熱設備（含放大器）等。
9. 只使用廠家指定的附帶裝置/附件。
10. 只使用廠家指定的或與本設備配套銷售的推車、支架、三腳架、托架、或桌子等。
使用推車時，請小心移動推車/設備元件，避免其傾倒而損傷。
11. 把本設備交給有資格的人員進行所有的維修工作。如果本設備受到任何形式的損傷，如發生電源線或插頭損壞、液體滲入或物體掉入本設備內、本設備受雨淋或受潮、不正常運行、墜落等情形時，需對本設備進行維修。



該符號表示本單元所附資料中有重要的操作和維護說明。

警告：為避免引起火災或觸電，切勿讓本設備受雨淋或受潮。

警告：本設備內無用戶可維修的部件。請將所有維修工作交與具維修資格之人士。

檢驗

我們希望您的新音箱系統在外觀上和出廠時一模一樣！請檢查音箱是否在運輸途中受損。小心打開新音箱系統的包裝，並對照裝箱單檢查組件是否齊全。在特殊情況下，物品有可能在運輸途中受損。若發現確有損壞，請通知遞送公司和經銷商並要求檢驗，並按照其指示對損壞情況進行鑒定。請保存好產品原包裝紙箱。

購買 KLIPSCH 產品說明

感謝您購買 Klipsch Heritage 音響系統。在閱讀完本手冊並按其說明連接好音響系統之後，您將聽到其美妙的聲音，這種聲音源自六十年多來嚴格的工程作風和業內領先的研發成果。與所有 Klipsch 產品一樣，您購買的產品同樣採用了 Klipsch Horn-loaded Technology 專利技術。此技術率先用於 1946 年開發出的首台 Klipschorn® 產品的主導設計，並在所有後續產品的主導設計中得以採用。採用 Horn-loading 技術的音箱，其靈敏度高、動態範圍寬廣、失真低、

頻散效果可操控、頻率回應平滑，因而您可獲得無與倫比的功率、聆聽到精緻的細節和動態效果。這項技術樹立了“Klipsch 之聲”的品牌。請您務必填寫本手冊後附的品質保證卡，或登陸 www.klipsch.com 網站填寫品質保證卡，以使我们更好地為您服務。再次感謝您購買 Klipsch 產品，希望 Klipsch 音箱伴您進入音樂和電影世界，帶給您身臨其境的感覺，並常年陪伴您。

PAUL W. KLIPSCH (保羅·W·傑士)

Klipsch Heritage 系列音箱直接採用了工程設計天才 Paul W. Klipsch 研發的技術。1946 年，Klipsch 推出了 Klipschorn® 品牌音箱並隨之創立了“Klipsch and Associates”合夥公司，時至今日，Klipschorn® 仍具有生命力。作為本公司的創始人，Paul W. Klipsch 被譽為音響工業的先驅和夢想家。他在職業生涯中取得了非凡的成就，於 1997 年入選“工程與科學名人堂”，達到了事業的頂峰。並因此齊名于眾多名人，如發明家湯瑪斯·愛迪生、美國農業科學家喬治·華盛頓·卡爾弗、以及飛機的發明者賴特兄弟。他一生取得了眾多榮譽，1994 年其母校新墨西哥州立大學把該校的電氣和電腦工程系命名為 Klipsch 系。1978 年 Klipsch 獲得由美國音響工程協會頒發的著名銀質獎章並入選音響名人堂。

以上只是這位元元元出色的音響工程師和偉人所取得成就的一小部分。高保真 (Hi-Fidelity) 雜誌評論 Klipsch 時稱其為“推動音響工業進入前沿的典範，所到之處，莫不重新確立此前沿。”1986 年 11 月《音響》(Audio) 雜誌對 Paul W. Klipsch 和他對音響工業的影響進行了如下總結：“……Klipschorn 音箱及其設計人 Paul Klipsch 堪稱高保真音響領域真正的傳奇。即使我有生花妙筆，也無法形容我對 Klipschorn 音箱和 Klipsch 本人的無比推崇。”

KLIPSCHORN 音箱

Paul Klipsch 的設計目標是在起居室裏重現交響樂團現場演出時的震撼和激昂效果。“Klipschorn®” 音箱在剛推出時即被視為音響設計方面的突破性技術，如今仍然是世界上最受推崇的音箱之一，是唯一連續生產了 60 年以上的音箱。Klipschorn 音箱證明瞭此設計能經受住時間的考驗。Klipschorn 音箱配有折疊式三面體低音號角，是三聲道全號角結構音箱，靈敏度極高，並在設計時充分考慮了房間牆壁和角落等因素的影響。這些特性的結合使其能在跨越 9 個八度以上的音頻範圍內重現震撼、平滑和高保真的聲音。

LA SCALA II 音箱

LA SCALA II 音箱是一款更為便攜的 Klipschorn 式音箱，是在 1963 年為 Winthrop Rockefeller 進行州長選舉而開發的一款講演用音箱。與 Klipschorn 一樣，此款音箱具有極高的靈敏度，應用全號角結構，配有三個聲道，其特點是採用更短的雙折式低音號角，

可獨立擺放在播放室的角落，與Klipschorn相比，採用更短的雙折式低音號角在聲學上的唯一缺點是損失少許低音。

CORNWALL III 音箱

作為三音箱身歷聲系統中“Heresy”系列中置聲道喇叭的換用品，體積更大的“Cornwall”音箱於1959年面世，提供Klipschorn的全頻低音回應，其靈敏度和輸出接近於使用全號角結構的其他機型。與“Heresy”一樣，“Cornwall”音箱也採用三聲道設計，並用號角結構高音單體重現中音和高音，用直射式15英寸低音喇叭重現低音。

HERESY III 音箱

Heresy是Klipschorn三音箱身歷聲系統中的緊湊型中聲道喇叭，於1957年首次推出。這款音箱採用緊湊型三聲道設計，使用號角結構高音單體重現中音和高音，使用直射式12英寸低音喇叭重現低音。

開箱和裝配

Heresy III和Cornwall III 音箱

Heresy III和Cornwall III型號的音箱體積大，重量沉。我們建議由兩人來開箱和安裝。開箱時，請打開紙箱頂部的折蓋，倒置紙箱，把紙箱向上拉出。拿掉內部包裝物並妥善保存以備將來使用。

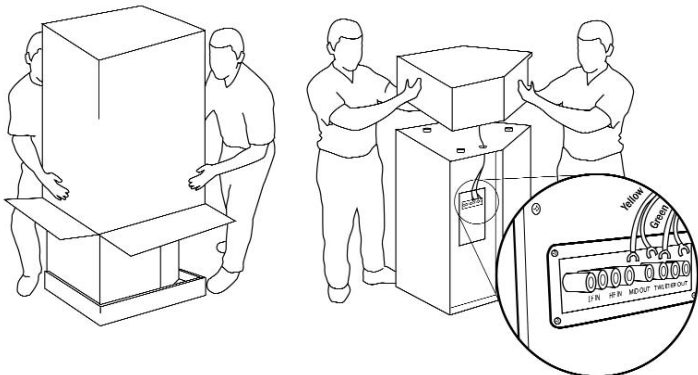
Klipschorn和La Scala II 音箱

Klipschorn和La Scala II 低音和高音箱體使用兩個紙箱，分開來裝運。這些音箱巨大沉重，開箱安裝需要兩個人。為確保獲得其固有的聲學效果，Klipschorn和La Scala II 低音和高音箱體均分別標有序列號。裝配時請注意使上下箱體的序列號相一致。

Klipschorn 音箱

打開標有“Open This End (從此端打開)”字樣的、體積較大的低音音箱紙箱頂部折蓋並倒置紙箱。把紙箱向上拉出。拿掉內部包裝填充物。使低音箱體頂部的三個橡膠墊面朝上(見圖1)。把低音箱體滑向角落的試裝位置，留意可能妨礙牢固安裝音箱的物品。把箱體從角落移開以安裝高音箱體。

1



在準備接線時，把音箱靠近角落 - 但切勿靠得過近，拿掉箱體上輸入面板一側的低音網罩（兩個翼型螺母）並另行放置，接線完成後重新裝上網罩。

打開標有“Open This End (從此端打開)”字樣的、體積較小的高音音箱紙箱頂部折蓋並倒置紙箱。拿掉內部包裝填充物。把高音箱體向上拉出，並放到低音箱體上面。把低音音箱上面的三個橡膠墊對準高音音箱下面的三個凹槽。把上面箱體中的高音和中音單體導線穿過箱體下麵板上的孔。把用綠色(+)標出的線對連接到標有“高音輸出(Tweeter Out)”的接線柱上。請注意使紅色(+)和黑色(-)接線柱與線對末端的綠色(+)和黑色(-)套管相對應。以同樣方式把用黃色標出的線對連接到標有Mid Out (中音輸出)的接線柱上。(見圖5)

La Scala II 音箱

請打開標有“Open This End (從此端打開)”的較大的低音音箱紙箱頂部折蓋。倒置紙箱並把紙箱拉離箱體。拿掉內部包裝墊。帶三個橡膠墊的箱體頂部需朝上(見圖2)。

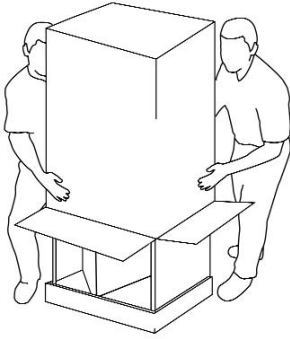
安裝La Scala II 高音箱體時，請打開標有“Open This End (從此端打開)”的小紙箱頂部折蓋。拿掉上面的包裝物。附帶低音連接線的箱體底部應朝上。放開連接線，倒置紙箱並把紙箱拉離箱體。請他人協助把高音箱體抬離地板。把高音箱體放到低音箱體的頂部。把低音連接線向後佈防並使其穿過兩個音箱之間的凹口。使高音箱體底部的凹槽對齊低音箱體頂部的橡膠減震器。把低音電纜連接到低音音箱後面的由螺絲橫穿固定的接線端子上。請注意極性要連接正確。帶紅色標記的線連接到帶紅色標記的接線柱上。帶黑色標記的線連接到帶黑色標記的接線柱上。

擺放

您的Klipsch Heritage音箱在各種場合均表現良好，但遵循下列原則可取得最佳效果：

- 所有音箱：擺放於同一面普通牆壁之上距離應有6至15英寸。

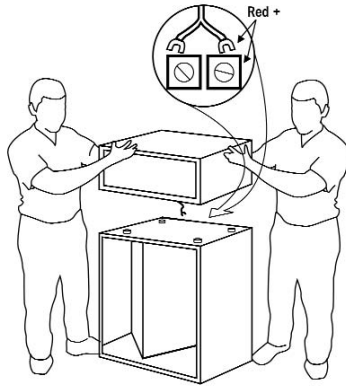
2



- La Scala, Cornwall, Heresy 音箱：使音箱與後牆距離相等。
- Heresy 音箱：如安裝於牆壁或櫃子上，其距離地板的高度要相等且其高音單體位置與呈坐姿聽者的耳朵高度平齊。
- 所有音箱：調節音箱與聽者之間的夾角角度，使其朝向聽者，並與任何鄰近障礙物平齊或略超出。
- La Scala, Cornwall, Heresy：靠近角落或牆壁擺放音箱可使低音最大，反之，加大音箱與房間四壁間的距離則可減少低音的輸出能量。
- 所有音箱：擺放一對音箱時，若距離相鄰側壁不對稱，可以改善由房間造成的低音不均勻現象。
- 可按上述原則重複進行擺放試驗直至取得所想要的效果並補償房間的聲學特性。

Klipschorn 音箱

當擺放於長方形房間較長牆壁的角落時，Klipschorn 音箱通常表現最佳。如果房間窄而長，且角落間距大於18至20英尺，則可能達不到最佳的身歷聲效果。長寬比為1.00至0.618的房間最為理想。此外，當天板高度不低於8.5英尺時，Klipschorn 音箱的效果也許會更好。Klipschorn 音箱要求擺放在角落裏，原因是房間的牆壁使得音箱的低音喇叭完整再現低音。所以，Klipschorn 音箱應安裝於角落，而且牆壁表面需超出側面網罩至少25英寸。



人工搭建角落

若房間內沒有合適的擺放角落，可人工搭建一面牆壁以產生近似於完美角落的低音效果，請使用圖3所示的2x4英尺框架。Klipsch建議使用如圖3所示標準的4英尺寬3/4英寸厚膠合板板材。此板材須牢固粘貼到框架上並釘牢。後面可以覆蓋一層諸如3/16英寸絕緣纖維板或1/2英寸薄膠合板。刷上與牆壁相配的油漆，或者使用疊層板或其他材料作為表層（見圖3）。若音箱間距特別寬，可為一個Klipschorn 音箱搭建人工角落，從而縮短音箱間距。如果此Klipschorn 音箱僅用於純聲訊系統，則還可以採用另外一個辦法，即添加一個中間音箱，型號可以採用La Scala，從而形成一個三音箱身歷聲系統。欲知詳細連接方法，請致電Klipsch技術支援部門，電話是：1-800-554-7724。

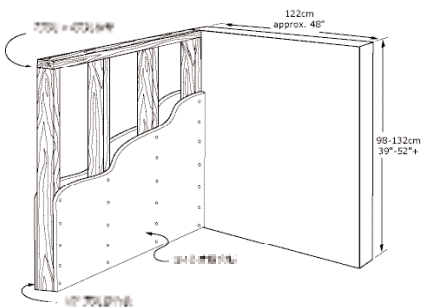
La Scala II 音箱

La Scala II 音箱具有如下特點：完全獨立，前面收音，其低音號角可折疊，可在需要時擺放於角落之外。不過，由於該型號與Klipschorn相比低音範圍稍窄，在角落擺放時其低音聲學性能可取得最佳效果。La Scala 音箱還非常靈活，可以進行內傾調節，以真實再現身歷聲原聲。如配上一隻高性能的Klipsch超低音揚聲器，還可以取得深度低音效果。

Cornwall III 音箱

在音箱擺放和內傾方面，Cornwall III 音箱具有類似於La Scala的靈活性。其低音範圍近似於低功率輸出時的Klipschorn 音箱。如同La Scala和Heresy 音箱，Cornwall III 音箱擺放在角落可取得最大的低音輸出量，擺放在角落之外或遠離後牆則低音輸出將減少。由於房間的聲學特性和各人的偏好不盡相同，我們建議您嘗試不同的擺放位置，以此微調音箱的表現。該音箱配有自粘式橡膠墊，若房間為硬性地板，用此橡膠墊把音箱粘附於豎板底部。

3



Heresy III 音箱

由於結構緊湊，Heresy III 音箱兼有各種 Heritage 型號音箱的擺放靈活性。其基本頻率範圍與 La Scala 相同，但輸出水準更為適度。無論擺放在角落還是在地板上都能獲得最佳低音增強效果。其傾斜豎板底座則有助於補償 Heresy 的高度不足。擺放在架子上或櫃子上的時候，可取下該豎板。此音箱配有自粘式橡膠墊，粘附於箱體底部以防止刮壞架子或堅硬表面。

音箱連接

注意：進行連接操作時請切斷功放電源！（見圖4）

- 在您的音箱後部或側面有正（紅色）和負（黑色）連接端子，與功放聲道（如左、右等）的正負端子相對應。可以連接裸線、片狀端子或香蕉插頭（見圖4）。
- 連接時，您系統中每個音箱上的正極端子都必須與功放的正極端子相連，以確保相位一致。重複這一步驟連接音箱和功放的負極端子。為保證連接正確，多數音箱線都在導線絕緣層上設有明顯標記。
- 採用的連線為雙線銅導線，導線不得細於16號（美國線規）。若佈線距離較長，請使用較大線規的導線。音箱的連接端子是裸線連接端子、片狀端子或香蕉插頭。
- **注意：**進行所有類型的連接時，音箱和功放上的正極和負極端子不能發生接觸。否則可能損壞設備！（見圖4）

Klipschorn 音箱：連接裝置可在低音箱體側面的輸入面板上找到。四對接線柱中的兩對可用於連接來自於功放的音箱線，其標記為“HF IN”+ 和 -，以及“LF IN”+ 和 -。兩個紅色（+）和兩個黑色（-）的接線柱均用跳線相連。讓跳線保持在原位，可進行常規單線連接，這時可使用兩對接線柱中的任意一對進行連接。也可拿掉該跳線，進行雙線連接。（見圖5）完成所有連接後，裝回側面網。在把音箱滑入角落時，注意音箱線要穿過面網後下方角位置的凹口。若音箱線來自輸入面板的對面，則音箱線首先穿過此面網凹口，然後通過後板前面連至輸入面板。

切勿將功放直接連接到中音或高音單體端子，或標有“Mid Out”或“HF Out”的接線柱，否則可能損壞音箱。

La Scala II 音箱：位於音箱後部的兩對接線柱是用於連接來自於功放的音箱線。其標記為“HF+”和“HF-”，以及“LF+”和“LF-”。兩個紅色（+）和兩個黑色（-）的接線柱均用跳線相連。讓跳線保持在原位，可進行常規單線連接，這時可使用兩對接線柱中的任意一對進行連接。也可拿掉該跳線，進行雙線連接。（見圖5）

Cornwall III 和 Heresy III 音箱：位於音箱後部的兩對接線柱是用於連接來自功放的音箱線。其標記為“HF+”和“HF-”，以及“LF+”和“LF-”。兩個紅色（+）和兩個黑色（-）的接線柱均用金屬片相連。讓金屬片保持在原位，可進行常規單線連接，這時可使用兩對接線柱中的任意一對進行連接。也可拿掉金屬片，進行雙線連接。（見圖4）

美國和加拿大以外地區的產品保證

本產品出售給美國或加拿大以外地區的客戶時，其產品保證必須適合當地法律，並且完全由當地經銷本產品的經銷商負責。有關保證維修服務，請與您購買本產品的當地零售店或經銷商連絡。

重要な安全上のご注意

1. この取扱説明書をお読みください。
2. この取扱説明書は保管してください。
3. 全ての警告事項にご留意ください。
4. 取扱説明書の内容にすべて従ってください。
5. 水気の近くではこの機器は使用しないでください。
6. 掃除には乾いた布のみを使用してください。
7. 通気孔を塞がないでください。製造業者の指示事項に従って据付けてください。
8. ラジエータ、温風吹出口、ストーブ、熱を発生するその他の機器（アンプを含む）などの熱源の近くには据付けないでください。
9. 付属品/アクセサリは、製造業者の指定したのみをご使用ください。
10. カート、スタンド、三脚、ブラケット、テーブルは、製造業者の指定したもの、すなわち機器と一緒に販売されているもののみをご使用ください。カートをご使用の際は、カート/機器をまとめて移動する際に横転による怪我がないようご注意ください。
11. 全ての点検・修理は適格なサービス担当者に依頼してください。電源コードやプラグに損傷がある場合、機器に液体がこぼれたり物体が落下した場合、機器に雨や水分がかかった場合、動作が正常でない場合、落下した場合など何らかの損傷を受けた場合には点検・修理が必要です。



このシンボルは、この機器に付属の印刷物に重要な操作・保守指示事項が記載されていることを示します。

警告: 火災や感電のリスクを低減させるため、機器に雨や水分がかからないようにしてください。

警告: 内部には、ユーザーによって交換可能な部品はありません。全ての点検・修理は適格なサービス担当者に依頼してください。

点検

当社では、本製品が工場出荷時と同じ良好な状態でお客様のもとにお届できるよう心から願っております。運搬による破損等がないかどうかすぐにご確認ください。ご購入いただいたスピーカーの開梱は注意深く行い、梱包明細に記載されている品目が全て揃っていることをご確認ください。運搬中に破損している品目があることも考えられます。破損がある場合には、運送業者もしくはこの製品をお買い求めの販売店までお知らせください。その際には点検を依頼し、担当者の指示に従うようにしてください。出荷用の梱包箱は大切に保管しておいてください。

Klipsch製品のご購入に関して

この度はKlipsch ヘリテージ ラウドスピーカーをお買い上げいただきましてありがとうございます。この説明書をお読みのうえ、接続を終えたら、当社の60年におよぶ研究・開発の成果をお楽しみいただけます。他のKlipsch製品と同様、このラウドスピーカーにもKlipschホーン搭載技術が搭載されています。この技術は1946年に開発された初期のKlipschorn®製品以来、全Klipsch製品に搭載されている代表的デザインです。ホーン搭載技術の採用により、極めて高い感度、広域にわたるダイナミックレンジ、小さ

く抑えられた歪、フラットな音周波レスポンス、幅があり分散を抑えたスピーカーの音の実現を可能にしています。そのため他に類をみないパワー、緻密さ、そしてダイナミクスが実現され、これはまさに「Klipschサウンド」ならではのです。この説明書の裏にある保証書にご記入していただくか、www.klipsch.comで必要な情報を入力ください。これらの情報は、サービス向上のために利用させていただきます。この度はKlipschをお選び頂き誠にありがとうございます。今後末永く音楽や映画を存分にお楽しみいただけるものと思います。

ポール・W・クリプシュ

Klipschヘリテージ ラウドスピーカーは、工学設計の天才ポール・W・クリプシュ自らが開発したものです。これらのラウドスピーカーに搭載された技術は、ポールがKlipschorn®の発売と同時にクリプシュ・アンド・アソシエイツ (Klipsch and Associates) を設立した1946年に設立した時と同様、今日でもその威力を発揮しています。当社の創始者は、音響産業における開拓者であり夢想家でした。ポールの経歴は際立っています。その頂点と云うべきは1997年に「エンジニアリング・アンド・サイエンス・ホール・オブ・フェーム」に仲間入りしたことです。この荣誉によって、とりわけ、トマス・エジソン、ジョージ・ワシントン・カーバー、ライト兄弟といった傑出した人々と肩を並べることができたのです。ポールの生涯は、ポールの母校であるニューメキシコ州立大学の電気・コンピュータ工学学部Klipsch校への献身的活動など、非常に際立っています。1978年には、ポールは、名声高い米国音響工学学会 (Audio Engineering Society of America) で銀メダルを受賞、また音響の殿堂 (Audio Hall of Fame) 入りも果たしました。これらは偉大な音響工学者でありそれ以上に人格者であるこの人の業績のほんの一部に過ぎません。Hi-Fidelity誌では、ポールについて、「最前線で物事を推し進め、行き着いたところで再び築き上げる人」と表現しています。1986年11月号のAudio誌には、ポール・W・クリプシュと業界への影響についての特集があり、...「Klipschornとその設計者ポール・クリプシュは、ハイファイ サウンドの分野における真の伝説であり、どう表現しても、全てを語り尽くすことはできないでしょう」と絶賛しています。

KLIPSCHORN

ポール・クリプシュのデザインの目標は交響楽団の生演奏を自宅の居間で再現する事でした。その発売時に技術的突破口となったKlipschornは、世界で最も高く賞賛されるラウドスピーカーであり、60年たった現在でも引き続き生産されている唯一のスピーカーです。Klipschornのデザインは、時間という試練に耐えてきた証しです。非常に高感度、3ウェイ・システム、全面的にホーン搭載、折りたたんだ三面体低音ホーンを備えたラウドスピーカーでは、デザインの一部として部屋の壁やコーナーを活用しています。この特性の組み合わせにより、ダイナミックでなめらか、歪みが極めて小さく、9オクターブ以上のサウンドを再現してくれます。

LA SCALA II

1963年に行われたウィンスロップ・ロックフェラー氏の知事選挙キャンペーンの時、La Scalaは公共演説用のスピーカーとして、より携帯性の高いKlipschornとして開発されました。Klipschornと同様、超高感度、完全ホーン搭載型の3ウェイスピーカーで、試験室の隅に置いて単独でも利用で

きる背の低い2倍低音ホーンが特徴です。その結果、La Scalaの音響面で妥協したのは、Klipschornと比較したとき、わずかながら低音域のカットオフが高くなっていることです。

CORNWALL III

1959年発売のCornwallは、3スピーカーステレオ配列におけるセンターチャンネル スピーカーであったHeresyを一回り大きくし、フルレンジが再現できるようにした製品です。完全ホーン搭載型に引けをとらない感度と出力のKlipschornの全低音域レスポンスが特徴です。Heresyと同様、Cornwallは中域音と高音にはホーン搭載圧縮ドライバーを利用し、低音周波に直接放射型15インチ ウーファーを利用する3ウェイ・デザイン型のスピーカーです。

HERESY III

1957年に発売されたHERESYは、当初は3つのスピーカーステレオ配列におけるKlipschornのための小型センターチャンネル・スピーカーとして登場しました。Heresyは、中音域と高音の再現にはホーン搭載の圧縮ドライバーを使用し、低周波音には直接放射型の12インチ ウーファーを使用するコンパクトな3ウェイデザインです。

開梱および組み立て

Heresy IIIおよびCornwall III

Heresy IIIおよびCornwall IIIモデルは大型でどっしりとしたスピーカーです。これらのモデルの開梱および取り付け作業は2人で行う事をお勧めします。梱包箱の上部のふたを開き、梱包箱をひっくり返してから、箱を引っ張り上げ、スピーカーを箱から取り外します。中に入っている梱包材はすべて箱から取り出し、今後のために保管しておいてください。

KlipschornおよびLa Scala II

Klipschorn (低音周波キャビネット) およびLa Scala II (高音周波キャビネット) は2箱で梱包され出荷されます。これらのスピーカーは、大型でかなりの重量があります。開梱およびセットアップ作業は必ず2人で行うようにします。Klipschorn (高音周波キャビネット) およびLa Scala II (低音周波キャビネット) は適切なアコースティック性能が得られるように、シリアル番号が対応したものとなっています。これらのラウドスピーカーを取り付ける時、上方および下方キャビネットのシリアル番号が対応したものであるかどうか確認してください。

Klipschorn

低音用キャビネットの入った大きい方の箱の「Open This End」のラベルが付いたふたを開け、箱を逆さにして引き上げてスピーカー キャビネットから取り外し、梱包材料

を取り除きます。3ヶ所のゴム製スペーサーのあるキャビネットの上部が上を向くようにします (図1を参照)。低音用キャビネットを配置する部屋の隅に置き、きちんと収まるかを試してみます。邪魔になるものがないかどうかを書き留めておきます。そのキャビネットを外し、高音用キャビネットを取り付けます。

接続の下準備として配置

する隅に置きますが、まだぴったりとはつけないようにしておきます。キャビネットのインプット・パネル側にある低音用スピーカーのゴム製バンパーを、高音用キャビネットの下にある3ヶ所のくぼみと揃えます。中高音用ドライバーの銅線をキャビネットの下方パネルにある穴を通して上方キャビネットに通します。緑 (+) タグのついたワイヤーの対を「Tweeter Out」のラベルのある端子へ接続します。赤 (+)、黒 (-) の接続端子をワイヤーの先端にある緑 (+)、黒 (-) のスリーブに正しく取り付けます。同じ手順で、黄色のタグのついたワイヤーの対を「Mid Out」のラベルのある接続端子に取り付けます (図5を参照)。

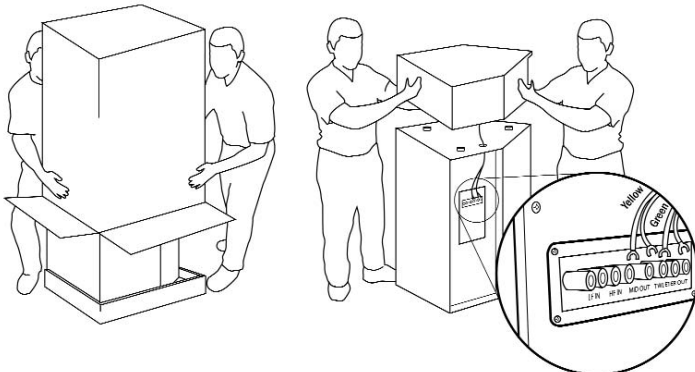
高音スピーカーの入った小さい方の梱包箱の「Open This End」の表示のある上部を開き、梱包材料を取り外します。高音用キャビネットを持ち上げて箱から取り出し、低音用キャビネットの上に置きます。低音用キャビネットの上部にある3ヶ所のゴム製バンパーを、高音用キャビネットの下にある3ヶ所のくぼみと揃えます。中高音用ドライバーの銅線をキャビネットの下方パネルにある穴を通して上方キャビネットに通します。緑 (+) タグのついたワイヤーの対を「Tweeter Out」のラベルのある端子へ接続します。赤 (+)、黒 (-) の接続端子をワイヤーの先端にある緑 (+)、黒 (-) のスリーブに正しく取り付けます。同じ手順で、黄色のタグのついたワイヤーの対を「Mid Out」のラベルのある接続端子に取り付けます (図5を参照)。

LA SCALA II

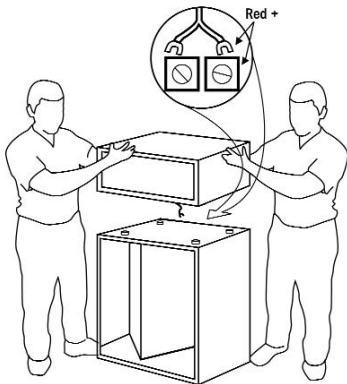
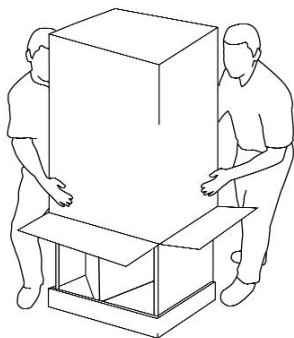
低音用キャビネットの入った大きい方の箱の「Open This End」のラベルの付いたふたを開きます。箱を逆さにし、スピーカー キャビネットを持ち上げ、梱包材料を取り外します。3ヶ所のゴム製スペーサーのあるキャビネットの上部が上を向くようにします (図2を参照)。

La Scala II 高温用キャビネットの入った小さい方の箱の「Open This End」のラベルの付いた上ふたを開き、梱包用のパッドを取り外します。キャビネットの底の部分を、低音用接続ケーブルが取り付けられている状態の上に向けまます。このケーブルを外し、梱包箱を逆さにしてキャビネットを箱から取り出します。誰かに手伝ってもらいながら、高音用キャビネットを床から持ち上げ、低音用キャビネットの上に置きます。その後、低音用ケーブルを後ろにまわし、キャビネットの間の隙間から出るようにします。高音用キャビネットの底の面にある窪みを、低音周波キャビネットの上部にあるゴム製のバンパーに揃えます。低音用ケーブルを低音用キャビネットの後部にある2個のねじ式

1



2



パリアストリップに接続します。赤い印のあるワイヤーを赤の端子、黒い印のあるワイヤーをもう1つの端子に接続して、極性が正しくなるようにします。

配置

Klipschヘリテージ ラウドスピーカーは、多様な配置環境下で良好な性能が発揮されますが、以下の一般ガイドラインに従うことで、最適な結果が得られます。

- 全機種：同じ壁面に6~15フィート（1.8~4.5m）の間隔で配置します。
- La Scala, Cornwall, Heresy：スピーカーと背後の壁との間隔が等しくなるように配置します。
- Heresy：壁やキャビネットが取り付けられている場合、座った姿勢で床から耳の高さにある高音周波ドライバーと同じ高さ配置します。
- 全機種：スピーカーを聴き手の方に向け、付近の障害物と同じかそれよりも手前になるようにします。
- La Scala, Cornwall, Heresy：スピーカーを部屋の隅または壁の近くに配置すると、ベース音量が最大となり、スピーカーを部屋の境側から離すとベース音量が減少します。
- 全機種：各スピーカーを隣接する側壁面からの距離を非対称に設置すると、部屋が原因のベース音のむらが解消されることがあります。
- お好みやそれぞれの部屋の音響特性に適したものとなるよう、上記のガイドラインを参考にしてお試しください。

Klipschorn

Klipschornスピーカーは通常、長方形の部屋の長い壁の隅に設置した状態で最良の性能が発揮されます。部屋が非常に細長く、隅が18~20フィート（5.4~6m）以上離れている場合は、最高のステレオ音像を発揮できるとは言えませ

ん。長方形の辺の割合は1:0.618が最適です。さらに、天井の高さが8.5フィート以上あれば、Klipschornにとって良い環境と言えます。Klipschornは、部屋の壁がスピーカーの低音ホーンの役目を果たしてくれるためです。充実した低音の拡張を実現させるために、Klipschornはベースボードがなくても、また障害物を取り去らなくても部屋のコーナーにぴったりとフィットし、壁の表面は側面のグリルより少なくとも25インチは高くなります。

仮設コーナー

仮に、視聴室に適切な隅が無い場合には、仮の場所を設けて、本来の隅と変わらないような低音性能を発揮させることもできます。その場合トーン角の調節も可能です。標準4フィート幅の3/4インチ厚の合板をしっかりと枠組みに糊付けし、釘で留めます。裏面は薄い材料（3/16インチのメゾナイトや1/2インチの合板など）で覆うこともできます。壁と同じ色にペンキを塗るか、ラミネートやその他材料を使って壁の仕上げをします（図3を参照）。非常に広い部屋の場合には、設置する2つのKlipschornスピーカーの一方に、スピーカーの間隔を縮めるために壁を設けるとよいでしょう。オーディオだけのシステムでKlipschornラウドスピーカーの間隔を狭めるためによくとられている解決法は、La Scalaなどのセンター・スピーカーを追加して、3スピーカーステレオ配列にする方法です。この接続に関する詳細はKlipsch テクニカルサポート電話受付番号1-800-554-7724まで、または最寄の販売店までお問い合わせください。

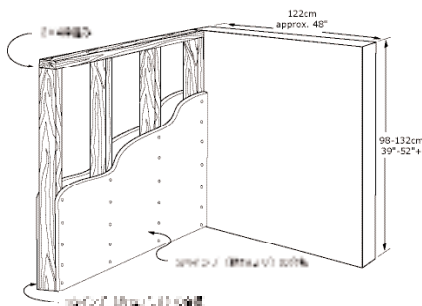
LA SCALA III

La Scala IIIは、自己充足型、フロント・ファイヤリング（front-firing）、フォルドド低音ホーンなどの特徴があり、必要に応じて部屋の隅以外の場所にも配置できます。ただし、Klipschornよりも低音拡張性が低いため、隅に配置して低音域の音響補強をすることが最適といえます。La Scalaでは、希望するステレオ音像を実現するために、トーン角調整ができる柔軟性もあります。高性能なKlipschサブウーファーを組み合わせると、深みのある低音の性能を実現することができます。

CORNWALL III

Cornwall IIIは、La Scalaの持つ配置やトーン角調節の柔軟性と、低い出力ながらKlipschornに似た低音拡張性を兼ね備えています。La ScalaやHeresyと同様、部屋の隅に配置することで低音量が最大となり、スピーカーを

3



コーナーから離したり、後部の壁から離れた所に設置すると低音量が減少します。それぞれの部屋の音響やお好みの音質は違うため、スピーカーの配置場所をいくつか試してみてもスピーカーの性能が最適となる環境づくりをされることをお勧めします。ハードフロアでご利用いただけるよう、床の損傷防止のための粘着式ゴムパッドを付属しています。

HERESY III

Heresy IIIは比較的小型のデザインであることから、ヘリテージ全モデルの中では配置の柔軟性は最も高くなっています。このモデルにLa Scalaと同様の音域がありますが、出力レベルは比較的小さめです。部屋の隅、床上に配置することで、最良の低音が発揮されます。また、傾斜ライザー台を使用することでHeresyのもつ低姿勢という問題が克服されます。この傾斜ライザーは棚やキャビネットへの配置の際には取り外しができます。棚や硬い表面の損傷防止用にキャビネットの底の部分に付ける粘着式ゴムパッドが付属されています。

ラウドスピーカーの接続方法

注意：接続の前には必ずアンプの電源を切ってください(図4を参照)。

- ラウドスピーカーにはキャビネットの裏面または側面に、プラス(赤)およびマイナス(黒)の接続端子があります。これらは、アンプの該当するチャンネル(左、右など)のプラス端子とマイナス端子に対応しており、裸線、スベード型の端子、バナナプラグを使用できます(図4を参照)。
- システムの全てのスピーカーで、プラスのスピーカー端子はプラスのアンプ端子に接続します。同様にマイナスのスピーカー端子は、マイナスのアンプ端子に接続します。ほとんどのスピーカーのワイヤには、正しい極性での接続を保つために、一方の心線の絶縁体に識別マークがあります。
- 少なくとも、口径16(AWG)、2線式の銅線を使用し、より長距離の場合には口径の大きな線を使用します。ラウドスピーカーの接続端子では、裸線、スベード型の端子、またはバナナプラグが使用できます。**注意：**どの接続タイプでも、スピーカーとアンプのプラス端子とマイナスの端子が接触しないように注意してください。機器破損の原因となる恐れがあります(図4を参照)。

Klipschorn: 接続端子は低音周波スピーカーの側面のインプット・パネルにあります。4対の接続端子のうち2対は、アンプからのスピーカーケーブルの接続に使用されています。これらには、「HF IN」および「LF IN」のラベルの付いた+と-の端子があります。赤(+)と黒(-)の端子はワイヤジャンパで接続されています。従来型の単線式接続の場合は、ジャンパはそのままにし、いずれかの端子の対を使用します。

オプションのバイワイヤ接続の場合には、これらのジャンパは外します(図5を参照)。全ての配線を終えたら、取り外しておいたサイドグリルを元の位置に取り付けます。スピーカーを角に押しやる際に、スピーカーケーブルをグリルの下部後方の角にあるノッチを通すようにします。スピーカーケーブルが入カパネルとは反対側から出ている場合、そのグリルのノッチを通し、テールボードの前を通してから、入カパネルにつなぐようにします。

破損の恐れがあるので、アンプを中音域やツイータードライバーの銅線に直接つなげたり、「Mid Out」や「FH Out」のラベルのある端子に直接つなげないでください。

LA SCALA IIラウドスピーカーの後方にある2対の接続端子は、アンプからのスピーカーケーブル接続用です。これらには、「HF IN」および「LF IN」のラベルの付いた+と-の端子があります。赤(+)と黒(-)の端子はワイヤジャンパで接続されています。従来型の単線式接続の場合は、ジャンパはそのままにし、いずれかの端子の対を使用します。オプションのバイワイヤ接続の場合には、これらのジャンパは外します(図5を参照)。

Heresy IIIおよびCornwall IIIラウドスピーカーの後方にある2対の接続端子は、アンプからのスピーカーケーブル接続用です。これらの接続端子には、「HF+」、「HF-」、「LF+」および「LF-」のラベルがあり、赤(+)と黒(-)の端子が金属製ストラップで接続されています。従来型の単線式接続の場合は、ジャンパはそのままにし、いずれかの端子の対を使用します。オプションのバイワイヤ接続の場合には、これらのジャンパは外します(図4を参照)。

米国およびカナダ以外での保証

米国およびカナダ以外の顧客に販売された場合に、この製品の保証は適用法に従うものとし、その製品を販売した販売代理店が唯一責任を受け持つこととなります。適用される保証サービスを受けるには、この製品をお買い求めになった販売店まで、またはこの製品の供給元である販売代理店までお問い合わせください。

FIGURE 4

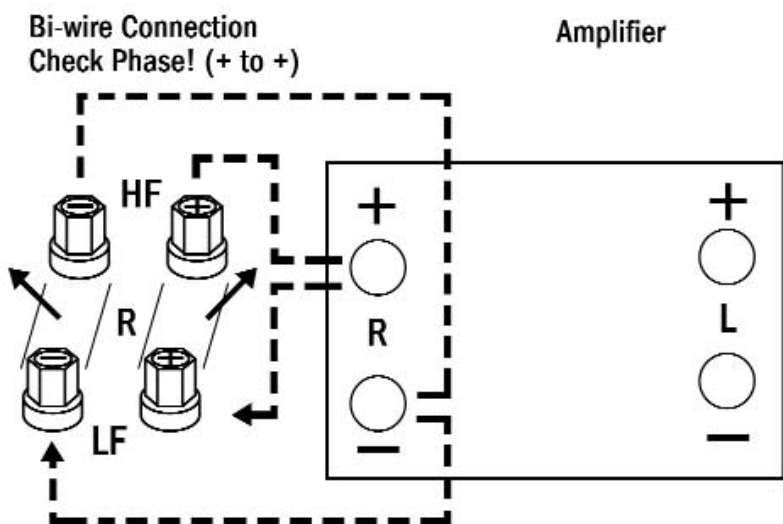
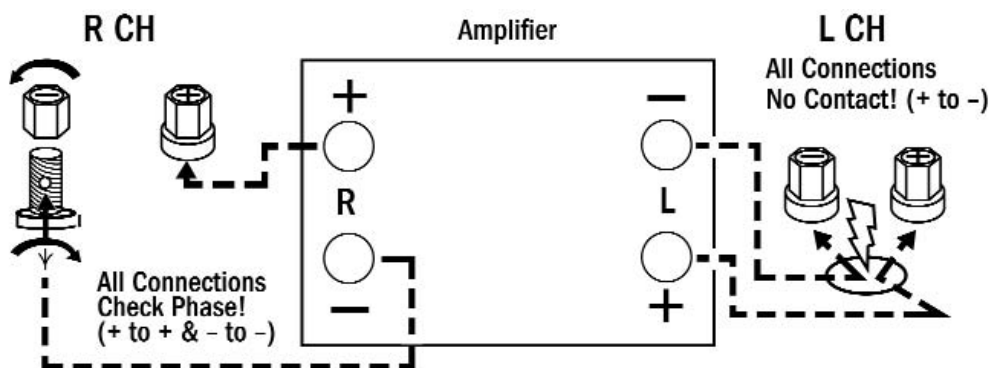
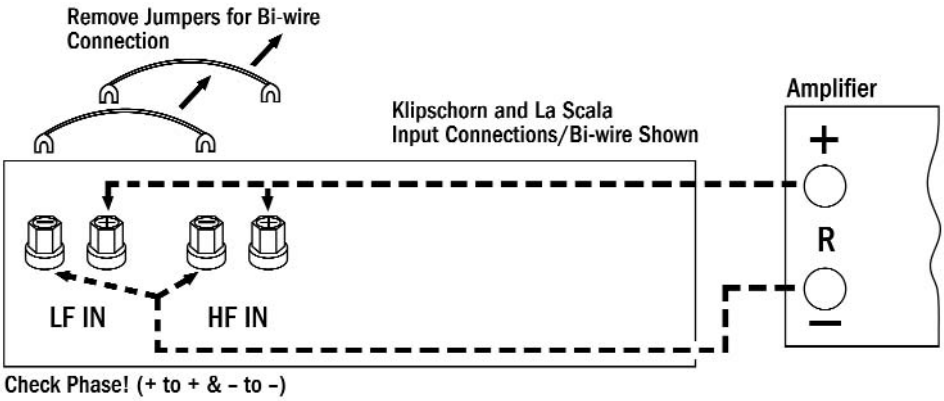
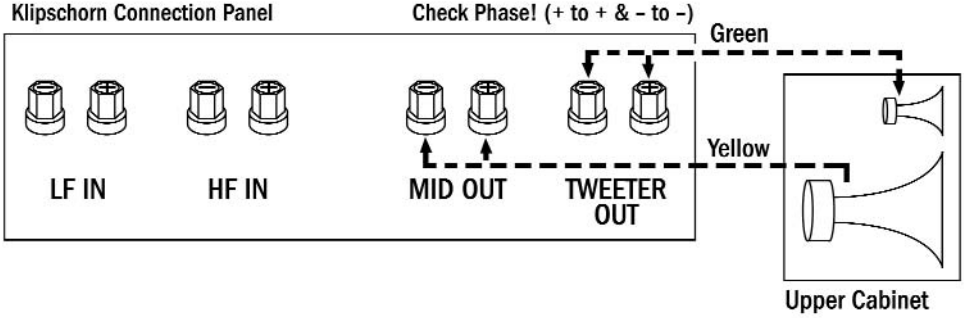


FIGURE 5



3502 Woodview Trace, Suite 200
Indianapolis, Indiana 46268 USA
1-800-KLIPSCH • www.klipsch.com